

BMW Z4 2008



This BMW Motorsport/racing/off-road Parts Catalog gives you an overview of the specially developed BMW Motorsport parts. Some parts may not be available in the US and may not be approved for all racing series or class. All parts listed are intended for use on approved motorsport/racing/off-road series BMW vehicles ONLY. The parts are Not DOT-approved, homologated or street legal and may adversely affect the original manufacturer's limited warranty on the vehicle. Installation of motorsport/racing/off-road parts on a vehicle may render it non-street legal. Suspension parts (including but not limited to struts, shock absorbers and springs) must be used together as a system and should not be partially installed or combined with any other components from BMW or other manufacturers. Purchasers of motorsport/racing/off-road parts will be required to sign a disclaimer, waiver and release.

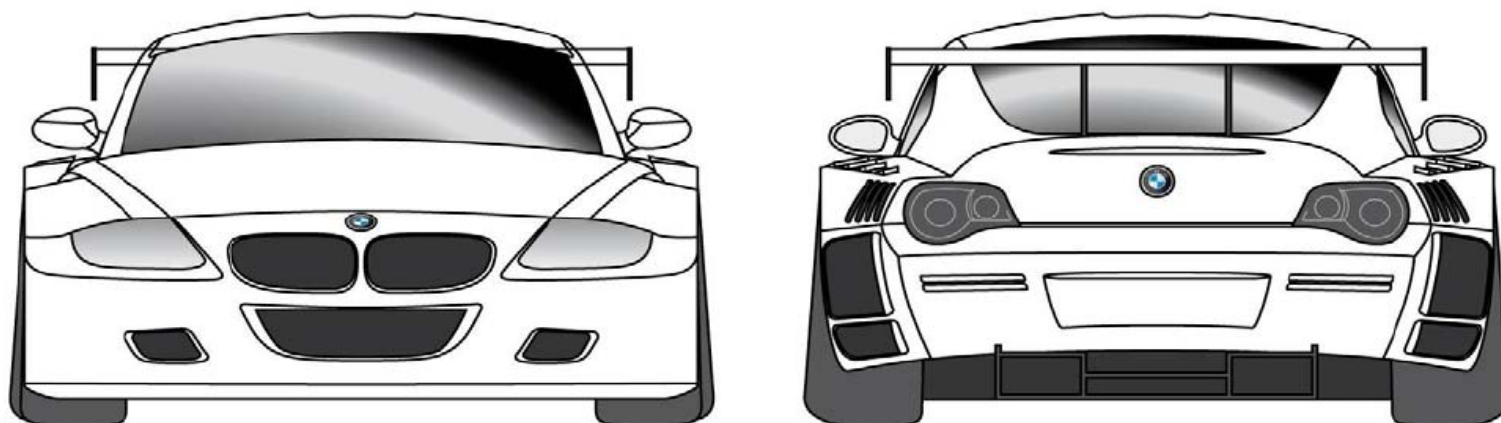
PURCHASERS ARE SOLELY RESPONSIBLE FOR ALL RISKS ASSOCIATED WITH INSTALLATION AND USE OF THE PARTS. BMW NA, BMW AG, BMW MOTORSPORT, GmbH, BMW (US) HOLDING CORP. AND THEIR RESPECTIVE SUBSIDIARIES AND AFFILIATES (THE BMW ENTITIES) MAKE NO WARRANTY, EXPRESS OR IMPLIED, INCLUDING ANY IMPLIED WARRANTY OF MERCHANTABILITY OR FITNESS FOR A PARTICULAR PURPOSE WITH REGARDS TO THE PARTS LISTED IN THIS CATALOG. THE BMW ENTITIES DISCLAIM ANY AND ALL LIABILITY (INCLUDING BUT NOT LIMITED TO INDIRECT, SPECIAL, INCIDENTAL OR CONSEQUENTIAL DAMAGES) RESULTING FROM PURCHASERS AND THEIR AGENT OR ASSIGNS' INSTALLATION AND USE OF THE PARTS IN THIS CATALOG.

BMW NA does not accept returns or exchange Motorsport parts. Claims for parts damaged during shipping should be made pursuant to the terms of the purchase order. Please select your parts carefully before finalizing your purchase.

Please contact your local approved BMW NA Motorsports Parts Dealer or visit bmwusa.com/bmwmotorsportparts for additional information or to place an order.

© BMW Motorsport, Munich/Germany. Not to be reproduced wholly or in part without written permission of BMW Motorsport.

BMW Motorsport



BMW Z4 VLN / Belcar

Teilekatalog / parts catalog (Version 10/2008)
(vorläufig / provisional)

Nachdruck und Veröffentlichung, auch auszugsweise, nur mit schriftlicher Genehmigung von BMW AG Motorsport, München.
Reproduction and publication, also in extracts, only with written authorisation of BMW AG Motorsport, Munich.



Motor / Engine P54B32

Vers 4_2008

| Pos | Teilnr. HGUG | Part no. | * | Bezeichnung | Description | Info | Dispo | Menge |
|-----|-----------------|----------|---|--------------|-------------------------|----------|-------|-------|
| A | 1143 | 8299558 | | ÖLTANK | Oil tank | Dry sump | | 1 |
| | 1161 | 7742580 | | O-RINGSCHNUR | O-Ring cord | 3x... | | 1 |
| B | | | | ÖLABSCHEIDER | Oil seperator reservoir | | | 1 |
| 1 | | | | | | | | |
| 2 | | | | | | | | |
| 3 | | | | | | | | |
| 4 | | | | | | | | |
| 5 | | | | | | | | |



| Pos | HGUG | Teilenr. Part no. | * | Bezeichnung | Description | Info | Dispo | Menge |
|------|------|----------------------|---|-----------------------------|-------------------------------|----------------|-------|-------|
| 1100 | | 8298554 | | Motor P54B32 | Engine P54B32 | kpl./cpl. 2007 | | 1 |
| | | | | (ohne Airbox und Krümmer) | (without airbox and manifold) | | | |
| 0611 | | 7743766 | | Reservemotor | Short engine | | nB | |
| 0611 | | 8298692 | | Reservemotor | Short engine | Evo | nB | |
| 8200 | | 8296594 | | Motorkiste | Flight case | | nb | |
| 1111 | | 0302722 | * | DICHTUNGSSATZ KURBELGEHÄUSE | Gasket set crank case | | | 1 |
| 1112 | | 7831920 | * | DICHTUNGSSATZ ZYLINDERKOPF | Gasket set cylindere head | | | 1 |
| 1111 | | 7743624 | | KURBELGEHÄUSE gehont | Crank case honed | P54B32 87,00 | | 1 |
| 1111 | | 7743614 | | KURBELGEHÄUSE vorgedreht | Crank case not finished | | nB | 1 |
| 1142 | | 7830770 | * | ÖLSPRITZDÜSE | Oil jet | | | 6 |
| 1111 | | 7743793 | | SATZ KLEINTEILE KGH | Set assy parts crank case | | | 1 |
| 1112 | | 7743711 | | ZYLINDERKOPF | Cylinder head | P54B32 | | 1 |
| 1112 | | 8298707 | | ZYLINDERKOPF | Cylinder head | P54B32 Evo | nB | 1 |
| 1112 | | 7835918 | * | DICHTUNG ZYLINDERKOPF | Gasket cylinder head | | nB | 1 |
| 1112 | | 8299510 | | ZYLINDERKOPFHAUBE | Cylinder head cover | | | 1 |
| 1112 | | 8299519 | | ANSCHLUSS ÖLABSCHEIDER | Connctor for oil separator | | | 1 |
| 1112 | | 8299554 | | ZÜNDSPULENABDECKUNG | Ignition coil cover | Carbon | nb | |

| Pos | HGUG | Teilenr. Part no. | * | Bezeichnung | Description | Info | Dispo | Menge |
|------|------|----------------------|---|---------------------------------|------------------------------|---------------|-------|-------|
| 1113 | | 7743710 | | ÖLWANNE | Oil pan | dry sump | | 1 |
| 1141 | | 8299562 | | ABSAUGSTUTZEN | Suction connector | | | 3 |
| 1140 | | 8299605 | | SIEB | Strainer | | | 3 |
| 1112 | | 2200796 | | O-Ring | O-Ring | 34x2,3 | | 3 |
| 0711 | | 9908200 | * | STIFTSCHARUBE | Stud | | | 12 |
| 1100 | | 1313169 | | SECHSKANTMUTTER | Hex nut | M5 Kay | | 12 |
| 1113 | | 7743740 | | SPACER | Spacer | 6mm | | 1 |
| 1113 | | 1437237 | * | DICHTUNG | Gasket | | | 2 |
| 1140 | | 8299581 | | ÖLHOBEL | Oil scraper plate | | | 1 |
| 1140 | | 8299593 | | BEFESTIGUNGSBUCHSE | Bush | | | 8 |
| 0711 | | 9902589 | * | ZYLINDERSCHRAUBE | CYL Screw | M5x?? | | |
| 1231 | | 2322411 | * | | | | | |
| 8130 | | 4670361 | | ANSCHLUSSSTUTZEN | Connector | 919-12x1,5-D4 | | 1 |
| 1722 | | 2206087 | | VERSCHLUSSKAPPE | Plug cap | 929-04D | | 1 |
| 0711 | | 9963150 | * | DICHTRING | Gasket ring | A12X17-AL | | 1 |
| | | | | Ölwanne an Kurbelgehäuse | Oil pan to crank case | | | |
| 0711 | | 9905400 | * | SECHSKANTSCHRAUBE M. SHB | Hex screw with washer | M6x25 | | 23 |
| 0711 | | 9904912 | * | ZYLINDERSCHRAUBE | CYL Screw | M6X35-ZNS | | 2 |

| Pos | HGUG | Teilenr. Part no. | * Bezeichnung | Description | Info | Dispo | Menge |
|------|---------|--|---|-------------|------------------------------|-------|-------|
| 1121 | 7832125 | KURBELWELLE (wie Serie aber ohne Lagerschalen) | Crankshaft (as series but no bearings shells) | | | | 1 |
| | | AWT Lagerschalen * Serienlagerschalen verwenden * Lager 1 * Lager 2-7 | CT crankshaft bearing shells use series bearing shells Bearing 1 Bearing 2-7 | | +0,03-0,05mm +0,05-0,07mm | | |
| 1121 | 7750002 | RILLENKUGELLAGER | Roller bearing | | 15x32x10 KOYO | | 1 |
| 1122 | 7769084 | SCHWUNGRAD | Flywheel | | | | 1 |
| 1112 | 1341586 | * PASSHUELSE | Fit sleeve | | | | 1 |
| 1122 | 7749358 | INNENSECHSKANTSCHRAUBE | Bolt | | T60 | | 8 |
| 1123 | 7834425 | * SCHWINGUNGSDÄMPFER | Vibration damper | | | | 1 |
| 1123 | 8296583 | RIEMENSCHIBE KW | Pulley crankshaft | | | | 1 |

| Pos | HGUG | Teilenr. Part no. | * Bezeichnung | Description | Info | Dispo | Menge |
|------|------|----------------------|--|---|----------------|-------------------|-------|
| 1124 | | 7743648 | SATZ PLEUEL | Set conrods | gewogen/paired | | 1 |
| 1124 | | 7743630 | PLEUEL | Conrod | Stk./piece | nb | |
| 1124 | | 7834310 | * PLEUELSCHRAUBE | Conrod screw | | | 12 |
| | | | AWT Pleuellagerschalen | CT conrod bearing shell | | | |
| 1124 | | 7743744 | PLEUELLAGERSCHALE | Bearing shell | gelb/yellow | | 12 |
| 1124 | | 7743745 | PLEUELLAGERSCHALE | Bearing shell | grün/green | | 12 |
| 1125 | | 8300077 | SATZ KOLBEN | Set piston | 86,91mm | | 1 |
| 1125 | | 8298690 | SATZ KOLBEN EVO | Set piston EVO | 86,91mm | ab Q3/2008 | |
| 1125 | | 7741697 | KOLBENRING | Piston ring | Kompr. | | 6 |
| 1125 | | 7741703 | KOLBENRING (alternativ aus Satz 7834014 Ölring entnehmen) | Piston ring (alternatively take oil ring from set 7834014) | Öl/oil | | 6 |
| | | | für Reparaturstufe +0,2mm | for rebuild size +0,2mm | | | |
| 1125 | | 8300074 | SATZ KOLBEN | Set piston | 87,11mm | nB | 1 |
| 1125 | | 8298691 | SATZ KOLBEN EVO | Set piston EVO | 87,11mm | ab Q3/2008 | |
| 1125 | | 8298609 | KOLBENRING | Piston ring | Kompr. | nB | 6 |
| 1125 | | 7834016 | * SATZ KOLBENRING (daraus Ölring verwenden !) | Set Piston ring (use oil ring only) | Öl/oil | nB | 6 |
| 1128 | | 8298537 | POLY-V-RIEMEN | POLY-V-Belt | 6PK 1400 | | 1 |

| Pos | HGUG | Teilenr. Part no. | * Bezeichnung | Description | Info | Dispo | Menge |
|------|------|----------------------|--|---|-----------------|-------|-------|
| 1131 | | 7743617 | EINLASSNOCKENWELLE | Camshaft intake | 304' | ww | 1 |
| 1131 | | 7743811 | EINLASSNOCKENWELLE (nur mit Zyl.kopf/Kolben/E-Ventil Evo) | Camshaft intake (only with cyl.head/piston/In valve Evo) | 316' Evo | ww | 1 |
| 1131 | | 7743618 | AUSLASSNOCKENWELLE | camshaft exhaust | 298' | | 1 |
| 1134 | | 7830889 | * EINLASSVENTIL | Intake valve | | | 12 |
| 1134 | | 8298723 | EINLASSVENTIL (zu NW 316') | Intake valve (with Cam 316') | Evo | nB | 12 |
| 1134 | | 8279640 | AUSLASSVENTIL | Exhaust valve | | | 12 |
| | | | Empfohlenes Ventilspiel | Recommended valve clearance | | | |
| | | | Nockenwelle Einlass 304' | Camshaft intake | 0,24-028mm | | |
| | | | Nockenwelle Einlass 316' | Camshaft intake | 0,19-0,23mm | | |
| | | | Nockenwelle Auslass 298' | camshaft exhaust | 0,19-0,23mm | | |
| | | Serie | * AWT Kappe für Ventilspiel | CT for valve clearance | 1,72-2,60mm | nB | |
| 1131 | | 7832199 | * Impulsgeberrad | Impulse wheel | In | | |
| 1131 | | 7743656 | Impulsgeberrad | Impulse wheel | Ex | | |
| 1133 | | 7831707 | * SCHLEPPHEBELWELLE EINLASS | Shaft rocker arms intake | | | 1 |
| 1133 | | 7838124 | * SCHLEPPHEBELWELLE AUSLASS | Shaft rocker arms exhaust | | | 1 |
| 1134 | | 7749969 | SCHLEPPHEBEL | Rocker arm | coated | | 24 |
| 1134 | | 8298587 | FEDERTELLER OBEN | Spring plate upper | | | 12 |
| 1134 | | 7832764 | * FEDERTELLER UNTEN | Spring plate lower | | | 12 |
| 1134 | | 7747163 | VENTILFEDER INNEN | Valve spring inner | | | 12 |
| 1134 | | 8298592 | VENTILFEDER AUSSEN | Valve spring outer | | | 12 |
| 1134 | | 1461405 | * VENTILKEGELSTÜCK | Valve cotter | | | 24 |
| 1134 | | 9065438 | * SATZ VENTILSCHAFTABDICHTUNG | Set valve stem seals | | | 3 |

| Pos | HGUG | Teilenr. Part no. | * | Bezeichnung | Description | Info | Dispo | Menge |
|------|------|----------------------|---|------------------------|---------------------------|----------------|-------|-------|
| 1136 | | 8298443 | | VANOS-VERSTELLEINHEIT | VANOS Adjusting unit | | | 1 |
| 1136 | | 7832030 | * | VANOS-GETRIEBE EINLASS | VANOS-Gearbox intake | | | 1 |
| 1136 | | 7832031 | * | VANOS-GETRIEBE AUSLASS | VanOS-Gearbox exhaust | | | 1 |
| 1136 | | 7743707 | | DRUCKSPEICHERLEITUNG | Pressure accumulator hose | | | 1 |
| 1214 | | 1305028 | * | ROHRSCHELLE | Clamp | d=10/6,4 | | 1 |
| 0711 | | 9905175 | * | HOHLSCHRAUBE | Hollow screw | 6-S | | 1 |
| 8130 | | 4673480 | | RINGANSCHLUSS | Connector | 776-10d-03D ss | | |
| 0711 | | 9963072 | * | DICHTRING | Gasket ring | A10X13,5-CU | | 1 |
| 1136 | | 7836050 | * | DRUCKSPEICHER | Accumulator | | | 1 |
| 1136 | | 1318785 | | ROHRSCHELLE | Clamp | | | 1 |

| Pos | HGUG | Teilenr. Part no. | * Bezeichnung | Description | Info | Dispo | Menge |
|------|------|----------------------|-------------------------------|-----------------------------------|-------------|-------|-------|
| 1141 | | 8298597 | ÖLPUMPE LU | Oil pump assy | | LU | 1 |
| 1141 | | 2195173 | ABSCHLUSSDECKEL VORNE | | | LU | 1 |
| 1111 | | 1726242 | * PASSHUELSE | | 8,5x9 | LU | 2 |
| 1141 | | 1415728 | RILLENKUGELLAGER | | EC-6202 | LU | 1 |
| 1141 | | 1415766 | SPRENGRING | Snap ring | 14mm | LU | 2 |
| 1141 | | 1415729 | WELLENDICHTRING | | 15x30x7 | LU | 1 |
| 0711 | | 9934671 | * SICHERUNGSRING | Lock ring | 35x1,5 | LU | 1 |
| 1141 | | 4705793 | OELPUMPENWELLE ANTR. 3S | | | LU | 1 |
| | | | Saugstufe 1 | Suction stage 1 | | LU | |
| 1141 | | 1415735 | PASSFEDER | | A5x3x25 | LU | 1 |
| 1141 | | 2195185 | OELPUMPENZAHNRAD MIT NUT B=30 | | | LU | 1 |
| 1141 | | 4705794 | OELPUMPENWELLE GETR. 3S | | | LU | 1 |
| 1141 | | 2195187 | OELPUMPENZAHNRAD B=30 | | | LU | 1 |
| 1141 | | 1415727 | O-RING | O-Ring | 62x2 | LU | 2 |
| 1141 | | 2195176 | OELPUMPENGEHAEUSE | | b=30 | LU | 1 |
| 1141 | | 2195175 | ZWISCHENPLATTE | Intermediate plate | Alu | LU | 2 |
| | | | Saugstufe 2 und 3 | Suction stage 2 and 3 | | LU | |
| 1141 | | 1415735 | PASSFEDER | | A5x3x25 | LU | 2 |
| 1141 | | 2195185 | OELPUMPENZAHNRAD MIT NUT | | b=30 | LU | 2 |
| 1141 | | 2195470 | OELPUMPENZAHNRAD SCHIEBESITZ | | b=30 | LU | 2 |
| 1141 | | 1415727 | O-RING | O-Ring | 62x2 | LU | 4 |
| 1141 | | 2195176 | OELPUMPENGEHAEUSE | | b=30 | LU | 2 |
| 1141 | | 8296562 | ZWISCHENPLATTE SAUG/DRUCK | Intermediate plate suction/press. | Stahl/steel | LU | 1 |
| | | | | | | LU | |

| Pos | HGUG | Teilenr. Part no. | * Bezeichnung | Description | Info | Dispo | Menge |
|------|------|----------------------|--|----------------------|-------------|-------|-------|
| | | | Druckstufe | Pressure side | | LU | |
| 1141 | | 2195272 | PASSFEDER | | A5x3x20 | LU | 1 |
| 1141 | | 4705772 | OELPUMPENZAHRAD SCHIEBESITZ | | | LU | 1 |
| 1141 | | 4705773 | OELPUMPENZAHRAD MIT NUT | | | LU | 1 |
| 1141 | | 1415727 | O-RING | O-Ring | 62x2 | LU | 2 |
| 1141 | | 4705774 | OELPUMPENGEHAEUSE | | | LU | 1 |
| | | | | | | LU | |
| 1141 | | 8296584 | OELPUMPENDECKEL HINTEN M.UEBERDR.VENT. | | | LU | 1 |
| 0711 | | 9908200 | STIFTSCHRAUBE | Stud | M5x10 | LU | 1 |
| 1100 | | 2190416 | KAYLOCK-MUTTER/SCHEIBE HWM 14-050 M5 6KT | | | LU | 1 |
| 0712 | | 9905552 | * STIFTSCHRAUBE | Stud | M6x22 | LU | 1 |
| 1100 | | 2190417 | KAYLOCK-MUTTER/SCHEIBE HWM 14-060 M6 6KT | | | LU | 1 |
| | | | | | | LU | |
| | | | Verschraubung Oelpumpe | | | LU | |
| 1141 | | 7739105 | * ZYLINDERSCHRAUBE | | M6x150 10.9 | LU | 4 |
| 0711 | | 9931639 | * SCHEIBE | Washer | 6,4-140 HV | LU | 4 |
| | | | | | | LU | |
| | | | Steuerventil | | | LU | |
| 1141 | | 8296590 | KOLBEN F. OELPUMPENDECKEL 8296584 | | | LU | 1 |
| 1141 | | 8296591 | O-RINGTRAEGER | | | LU | 1 |
| 1141 | | 7739096 | DRUCKFEDER D-207J-38 FA.GUTEKUNST | | | LU | 1 |
| 1142 | | 1702905 | * O-RING F.ROH-UND REINOELANSCHLUSS | | | LU | 1 |
| 1141 | | 8296592 | MUTTER M22X1.5 SW24 | | | LU | 1 |
| 1141 | | 8296595 | DICHTRING DI=22 DA=27,5 S=3 MM ALU | | | LU | 1 |
| 1141 | | 7739107 | DISTANZSCHEIBE (Fuer Einstellung) | | | LU | 1 |
| 0711 | | 9913662 | * SECHSKANTSCHRAUBE M8X30-8.8 ZN | | M8x30 | LU | 1 |
| 0711 | | 9921104 | * SECHSKANTMUTTER M8-04-2-ZNS | | M8-04 | LU | 1 |
| | | | | | | LU | |
| | | | für Montage notwendig | | | LU | |
| 1141 | | 8299560 | HALTER UNTEN OELPUMPE | | | LU | 1 |
| 1141 | | 8299561 | HALTER OBEN OELPUMPE | | | LU | 1 |
| | | | | | | LU | |

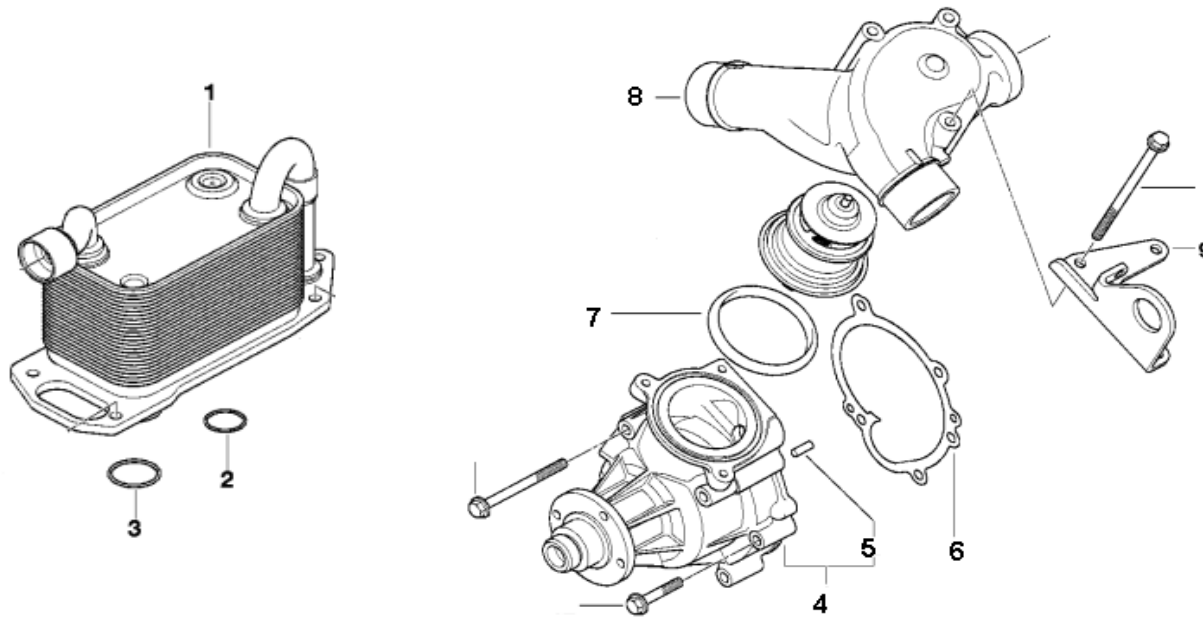
| Pos | HGUG | Teilenr. Part no. | * Bezeichnung | Description | Info | Dispo | Menge |
|------|------|----------------------|--|-------------|------------|-------|-------|
| | | | Verbindung Halter 8299561 mit Ölpumpe | | | LU | |
| 1141 | | 4705765 | ROHR OELPUMPE-OELTANK | | | LU | 3 |
| 0711 | | 9906350 | * O-RING | O-Ring | 20x3,55 | LU | 6 |
| 1113 | | 8299605 | SIEB F.OELLEITUNG | Strainer | | LU | 3 |
| 0711 | | 9900329 | * ZYLINDERSCHRAUBE | | M6x65 Z1 | LU | 2 |
| 0711 | | 9900331 | * ZYLINDERSCHRAUBE | | M6x80 Z1 | LU | 2 |
| 0711 | | 9900382 | * ZYLINDERSCHRAUBE | | M6x75 Z1 | LU | 2 |
| 0711 | | 9931639 | * SCHEIBE | Washer | 6,4-140 HV | LU | 2 |
| | | | Ölpumpe an KGH/Ölfilterkopf | | | | |
| 0711 | | 9919932 | * ZYLINDERSCHRAUBE | | M6x35 | | 2 |
| 0711 | | 9900258 | * SECHSKANTSCHRAUBE | | M8x55 | | 1 |
| 1141 | | 8298536 | RIEMENSCHIEBE | Pulley | | | 1 |
| | | | (Riemenscheibe auf Oelpumpenwelle) | | | | |
| 1141 | | 2195272 | PASSFEDER | | A5x3x20 | | 1 |
| 0711 | | 9934082 | * SICHERUNGSRING | | 15x1 ZN | | 1 |
| 1140 | | 8299568 | SCHLAUCHLEITUNG 1 | | | | 1 |
| 1140 | | 8299569 | SCHLAUCHLEITUNG 2 | | | | 1 |
| 1140 | | 8299570 | SCHLAUCHLEITUNG 3 | | | | 1 |
| | | | (Leitung 1 bis 3 an Oelw.und Oelpumpe) | | | | |
| 0711 | | 9902859 | * ZYLINDERSCHRAUBE | | M5x12 | | 6 |
| 1140 | | 8298589 | O-RING | O-Ring | 24x1,3 | | 12 |

| Pos | HGUG | Teilenr. Part no. | * Bezeichnung | Description | Info | Dispo | Menge |
|------|------|----------------------|---|--|--------------|-------|-------|
| | | | Ölleitung Motor > Öltank | Oli lines engine > oil container | | | |
| 1142 | | 8296586 | OELLEITUNG | Oil line | I | | 1 |
| 1144 | | 7739083 | HITZESCHUTZ | Heat protection hose | | | 1 |
| 1140 | | 8299577 | OELLEITUNG | Oil line | II | | 1 |
| 1140 | | 8298589 | O-RING | O-Ring | 24x1,3 | | 2 |
| 1722 | | 1311312 | am VA-Träger DOPPELSTUTZEN | at front X-member Connector | 815-12D | | 1 |
| 1140 | | 8299591 | OELLEITUNG | Oil line | III | | 1 |
| | | | Agregateträger | Oil filter head | | | |
| 1140 | | 8299572 | AGGREGATETRÄGER | Carrier / oil filter head | | | 1 |
| 1353 | | 1416342 | Anschluss Temp.sensor GEWINDESTUTZEN (ZL-2 Teile als VS Serienanschluss) | for temp.sensor Adaptor | M12x1,5/M8x1 | | 1 |
| 1142 | | 8296535 | O-RINGEINSATZ | Carrier O-Ring | | | 2 |
| 1722 | | 2245358 | O-RING | O-Ring | 13,4x1,78 | | 2 |
| 1142 | | 8296534 | PLATTE F.ANSCHLUSS OELKUEHLER - AGGR.TR. | | | | 1 |
| 0711 | | 9916612 | ZYLINDERSCHRAUBE | | M5x12 | | 2 |
| 0711 | | 9905739 | * SECHSKANTSCHRAUBE (Anschluss WT) | Hex Hd. Screw | M8x22 Z1 | | 1 |
| 1142 | | 8296539 | ANSCHLUSSSTUTZEN | Connector | D10/M20x1,5 | | 1 |
| 0711 | | 9963340 | * DICHRING | Seal ring | A20x24 | | 1 |

| Pos | HGUG | Teilenr. Part no. | * Bezeichnung | Description | Info | Dispo | Menge |
|------|------|----------------------|----------------------------------|------------------------|---------------|-------|-------|
| | | | Anschluss Oeldruckleitung | Oil press. Line | | | |
| 1141 | | 8298544 | RINGSTUECK | Ring connector | M12x1,5/D3 ST | | 1 |
| 1142 | | 8298545 | HOHLSCHRAUBE M12X1.5-25 ST ATEC | Hollow screw | M12x1,5 ST | | 1 |
| 0711 | | 9963150 | * DICHRING | Seal ring | A12x17 | | 2 |
| | | | nur für Motortransport | for transport only | | | |
| 1722 | | 2205879 | VERSCHLUSSKAPPE | Plug cap | D3 | | 1 |
| | | | AGGREGATETRÄGER KURBELGEHÄUSE | | | | |
| 0711 | | 9901947 | * SECHSKANTSCHRAUBE | Hex Hd. Screw | M8x50 Z1 | | 3 |
| 0711 | | 9905401 | * SECHSKANTSCHRAUBE | Hex Hd. Screw | M8x65 U1 | | 2 |
| 0711 | | 9905043 | * SECHSKANTSCHRAUBE | Hex Hd. Screw | M8x100 U1 | | 1 |
| | | | Verschluss Öltemp.messstelle | | | | |
| 0711 | | 9904550 | * VSL SCHRAUBE | Plug screw | M12x1,5x12 | | 1 |
| 0711 | | 9963150 | * DICHRING | Seal ring | A12x17 | | 1 |
| 1142 | | 7833769 | * SATZ ÖLFILTEREINSATZ | Set oil filter | | | 1 |

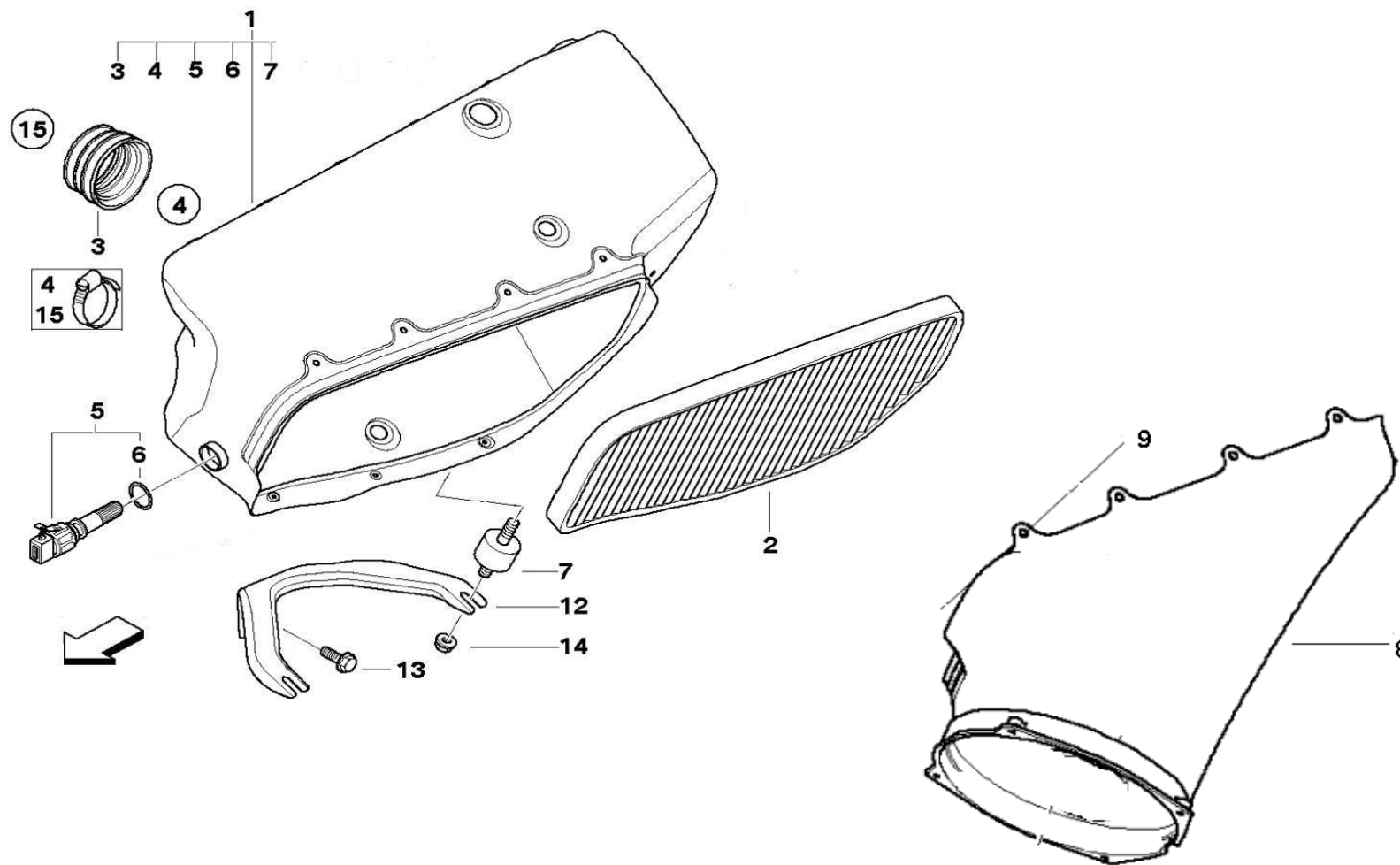
Motorkühlung / engine cooling

Vers 10_2008



| Pos | HGUG | Teilenr. Part no. | * | Bezeichnung | Description | Info | Dispo | Menge |
|-----|------|----------------------|---|--|---|----------------|-------|-------|
| 1 | 1144 | 8296536 | | WÄRMETAUSCHER | Heat exchanger | | | 1 |
| 2 | 1144 | 1406693 | * | O-RING | O-Ring | 20X2,5 | | 1 |
| 3 | 1144 | 1406694 | * | O-RING | O-Ring | 28X2,5 | | 1 |
| | 1112 | 1416260 | | O-RING | O-Ring | 20,3X2,4 | | 1 |
| | 1144 | 8296537 | | HALTER | Bracket | | | 1 |
| | 1111 | 7777107 | | SCHRAUBSTUTZEN | Connector | M16x1,5 | | 1 |
| | 0711 | 9963252 | * | DICHTRING | Seal ring | A16x20 | | 1 |
| | 1141 | 1309507 | | SCHRAUBSTUTZEN | Connector | 919-20x1,5-D10 | | 1 |
| | 0711 | 9963340 | * | DICHTRING | Seal ring | A20x24 | | 1 |
| | 1144 | 8296596 | | VSL SCHRAUBE MIT FASE | Plug screw | M16x1,5 Al | | 1 |
| | 0711 | 9963252 | * | DICHTRING | Seal ring | A16x20 | | 1 |
| | 1142 | 8296588 | | ÖLPUMPE DRUCKSTUFE > WT ÖLLEITUNG | Press. Stage > Heat exchanger Oil pipe | | | 1 |
| | 1144 | 8296542 | | WT > AGGREGATRÄGER ÖLLEITUNG | Heat exchanger > filter head Oil pipe | | | 1 |
| | 1141 | 1306082 | | O-RING | O-Ring | 16x2 | | 4 |
| | 0711 | 9908200 | | Befestigung Leitungen STIFTSCHRAUBE | Fixing of pipes Stud | M5x10 | | 1 |
| | 1100 | 2190416 | | MUTTER | Nut | Kay M5 HWM | | 2 |
| | 6453 | 1357128 | * | SCHLAUCHSCHELLE | Hose clamp | | | 1 |
| | 0711 | 9920067 | * | ZYL SCHRAUBE | CYL screw | M6x16 Z1 | | 1 |

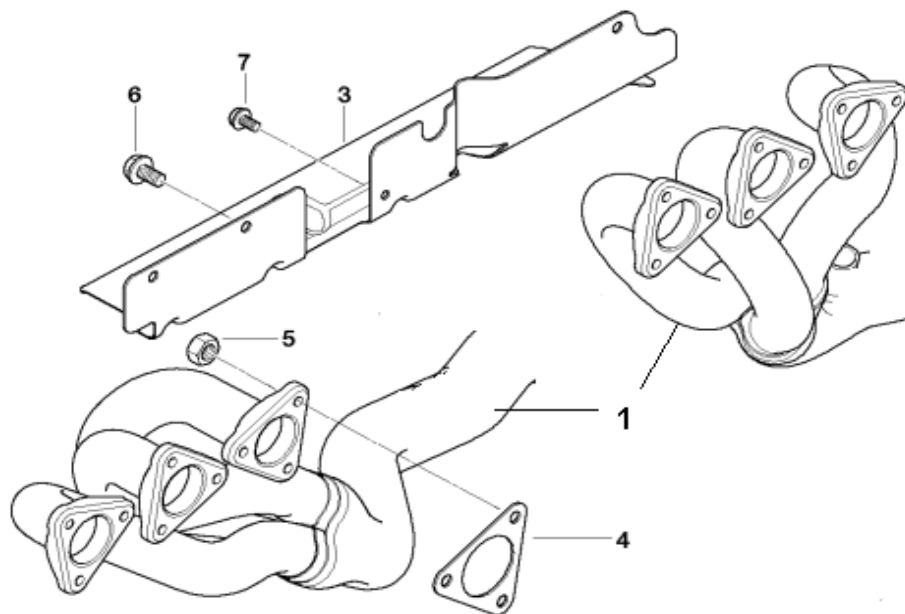
| Pos | HGUG | Teilenr. Part no. | * | Bezeichnung | Description | Info | Dispo | Menge |
|-----|------|----------------------|---|---------------------------|-----------------------------|--------------|-------|-------|
| 4 | 1151 | 7838160 | * | WASSERPUMPE | Water pump | AT/exchange | | 1 |
| 5 | 0711 | 9942283 | * | ZYL STIFT | Pin | 5 H8x14 | nB | 2 |
| 6 | 1151 | 7831099 | * | DICHTUNG | Gasket | Metall | | 1 |
| 7 | 1153 | 1318402 | * | O-RING | O-Ring | | nB | 1 |
| 8 | 1153 | 7743704 | | THERMOSTATGEHÄUSE | Housing THERMOSTAT | | | 1 |
| 9 | 1153 | 7743705 | | AUFHÄNGELASCHE | Hinge | | | 1 |
| | 1151 | 7741668 | | BLLENDE THERMOSTAT | Cover | | | 1 |
| | | | | für Entlüftung Kühlsystem | for ventilation cool.system | | | |
| | 3432 | 2206331 | | STUTZEN | Connector | 919-10x1-03D | | 1 |
| | 0711 | 9963073 | * | DICHTRING | Gasket ring | A10X13,5-AL | | 1 |
| | 1722 | 2205879 | | VERSCHLUSSKAPPE | Plug cover | D3 | | 1 |
| | 1151 | 1318288 | | RIEMENSCHLEIBE | Pulley | | | 1 |
| | 0711 | 9903843 | * | SECHSKANTSCHARAUBE | Hex screw | M6x12-U1 | | 4 |



| Pos | HGUG | Teilenr. Part no. | * Bezeichnung | Description | Info | Dispo | Menge |
|-----|------|----------------------|--|---|-----------|-------|-------|
| 1 | 1161 | 8299520 | LUFTSAMMLER beinhaltet nachfolgende Positionen | Airbox includes following items | P54B32 | | 1 |
| 3 | 1161 | 7830265 | * FALTENBALG | Rubber boot | | nB | 6 |
| 4 | 1161 | 7830266 | * SCHLAUCHSCHELLE nur zum Verschluss notwendig | Hose clamp necassary only as plug for hole | | nB | 6 |
| 5 | 1362 | 1739510 | * TEMPERATURSENSOR | Temperature sensor | | nB | 1 |
| 6 | 1362 | 1743299 | * O-RING | O-Ring | | nB | 1 |
| 7 | 1161 | 7830735 | * GUMMILAGER | Silent bloc | | nB | 2 |
| 12 | 1161 | 7831740 | * HALTER | BRACKET | | | 1 |
| 13 | 0711 | 9900310 | * SECHSKANTSCHRAUBE M. SCHEIBE | Hex screw with washer | M8x14-Z1 | | 1 |
| 14 | 0711 | 9905544 | * MUTTER | Nut | M6-8 | | 2 |
| 15 | 0161 | 7831745 | * SCHLAUCHSCHELLE | Hose clamp | | | 6 |
| | | | Verschluss der Serienöffnung | for plug of holes in airbox | | | |
| | 1161 | 7743727 | VERSCHLUSSSTOPFEN | Plug | NQV2 NW19 | | 1 |
| | 1161 | 7743728 | VERSCHLUSSSTOPFEN | Plug | V2 NW6 | | 1 |
| | 1161 | 7743729 | VERSCHLUSSSTOPFEN | Plug | 90' | | 1 |
| 2 | 1161 | 8299563 | LUFTFILTEREINSATZ 24h Rennen/sandige Bedingungen | Filter element 24h races/sandy conditions | Race | | 1 |
| 2 | 1372 | 7743671 | LUFTFILTEREINSATZ | Filter element | 24H / HD | nB | |
| 8 | 1161 | 8299525 | ROHLUFTGEHÄUSE | Housing | | | 1 |
| 9 | 0711 | 9905016 | * FLACHKOPFSCHRAUE | Pan head screw | M5x10 | | 4 |

Auspuffkrümmer / exhaust manifold

Vers 7_20008



| Pos | HGUG | Teilenr. Part no. | * | Bezeichnung | Description | Info | Dispo | Menge |
|-----|------|----------------------|---|---------------------------|-----------------------|-----------------|-------|-------|
| 1 | 1162 | 8299501 | | AUSPUFFKRÜMMER | Manifold | | | 1 |
| 1 | 1162 | 8299708 | | AUSPUFFKRÜMMER | Manifold | Isoliert | nB | |
| | 1162 | 7749033 | | RÜCKZUGFEDER | Retainer spring | | nB | 4 |
| 4 | 1162 | 7830667 | * | DICHTUNG | Gasket | non asbestos | | 6 |
| 5 | 1112 | 7740269 | | SECHSKANTMUTTER | Hex nut | M7 Kay heatres. | | 18 |
| 3 | 1162 | 7743775 | | HITZESCHUTZBLECH | Heat protection plate | | | 1 |
| 6 | 0711 | 9901793 | * | SECHSKANTSCHRAUBE MIT SHB | Hex screw w. washer | M8x14-Z1 | | 3 |
| 7 | 0711 | 9905525 | * | SECHSKANTSCHRAUBE MIT SHB | Hex screw w. washer | M6x14-Z1 | | 1 |

Motorelektrik/ Engine electric P54B32

Vers 10_2008

| Pos | HGUG | Teilenr. Part no. | * | Bezeichnung | Description | Info | Dispo | Menge |
|------|------|----------------------|---|--|---|-----------------|-------------|-------|
| 1212 | | 8299527 | | ZÜNDKERZE für 24h-Rennen | Spark plug for 24h race | IXU 27 | | 6 |
| 1212 | | 8299583 | | ZÜNDKERZE | Spark plug | IXU01-27 | nB | 6 |
| 1212 | | 8299509 | | TERMINAL F. ZÜNDKERZE | Terminal f. spark plug | | | 6 |
| 1213 | | 8298303 | | ZUENDSPULE Variante mit Dämpfungsschlauch | Ignition coil variant with anti-vibration hose | | | 6 |
| 1213 | | 8298208 | | ZUENDSPULE | Ignition coil | | nB | 6 |
| 1214 | | 8298289 | | STEUERGERÄT | Control unit | ECU 406 | | 1 |
| 6112 | | 7777918 | | AUSLESEKABEL | Read-out cable | ECU 400 | nB | |
| 1136 | | 8298209 | | STEUERGERÄT (immer zur Motorrevision zurückliefern) | Control unit (return allways for engine rebuild) | Vanos | | 1 |
| 1214 | | 7830789 | * | DREHZAHLGEBER KW | Speed sensor crank shaft | | | 1 |
| 1214 | | 8298228 | | IMPULSGEBER NOCKENWELLE | Pulse gntr | Einlass/In | | 1 |
| 1214 | | 8298229 | | IMPULSGEBER NOCKENWELLE | Pulse gntr | Auslass/ex | | 1 |
| 1214 | | 8298277 | | für Motoröl / Wasser TEMPERATURSENSOR | for eng. oil / water Temp. Sensor | | | 2 |
| 6210 | | 8298380 | | DRUCKSENSOR | Pressure sensor | 10Bar High temp | | 2 |
| 1362 | | 1739510 | * | für Ansaugluft TEMPERATURSENR | for air temp. Temp. Sensor | Luft/air | | 1 |
| 1131 | | 7741486 | | DRUCKSENSOR | Pressure sensor | 800-1200mBar | | 1 |
| 1231 | | 7831436 | * | GENERATOR | Generator | | AT/exchange | 1 |
| 1231 | | 7743620 | | RIEMENSCHLEIBE | Pulley | db=79 | | 1 |
| 1241 | | 7835735 | * | ANLASSER | Starter | | AT/exchange | 1 |

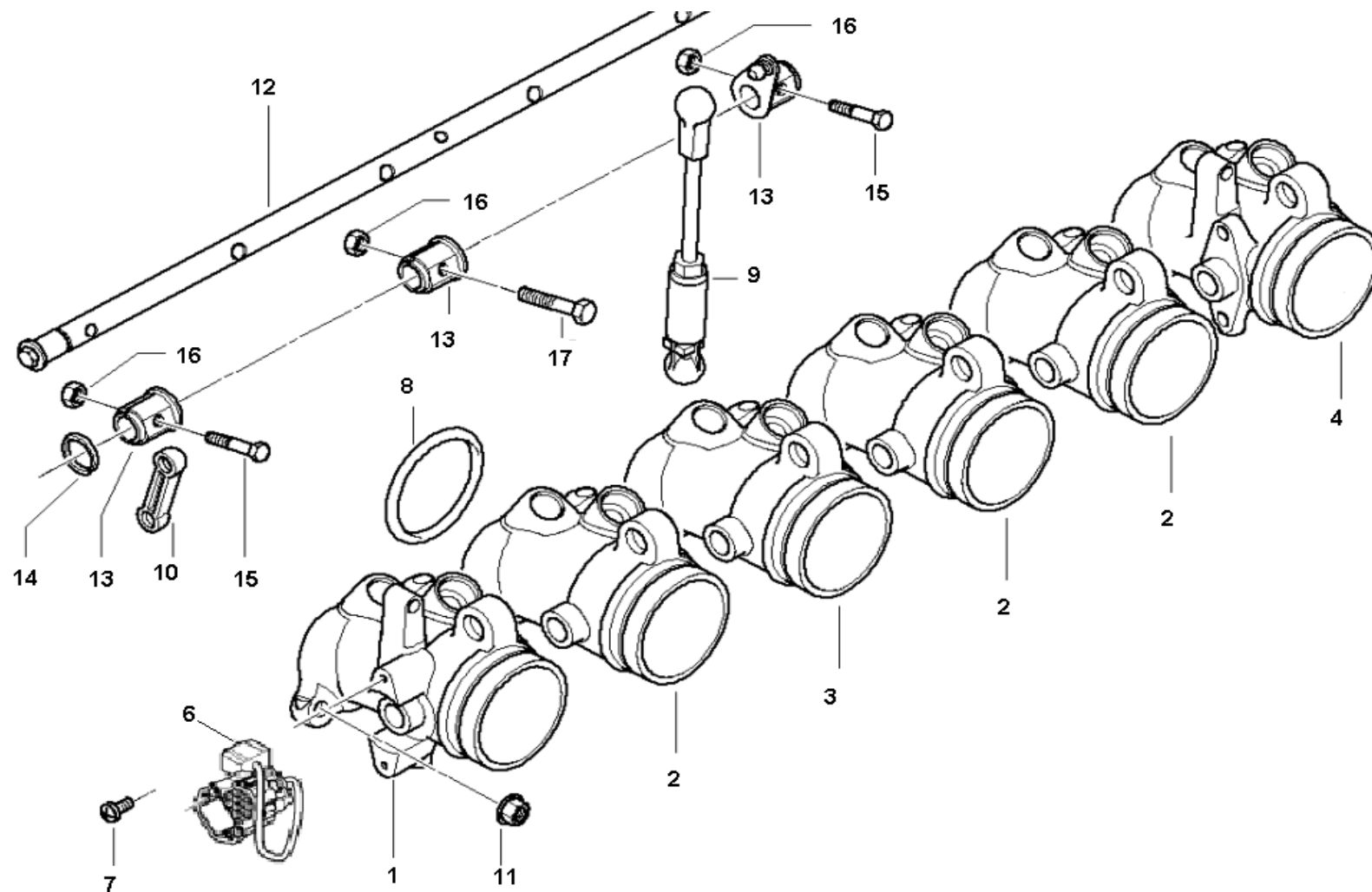
Motorelektrik/ Engine electric P54B32

Vers 10_2008

| Pos | HGUG | Teilenr. Part no. | * | Bezeichnung | Description | Info | Dispo | Menge |
|------|------|----------------------|---|---|--|--------|-------|-------|
| 1251 | | 8298207 | | MOTORKABELBAUM | Engine loom | P54B32 | | 1 |
| 1365 | | 8298230 | | KABELBAUM M. EINSPRITZVENTILEN (immer zur Motorrevision zurückliefern) | Loom with injectors (return allways for engine rebuild) | | | 1 |
| | | | | für Lambdaanzeige | for Lambda measuring | | | |
| 1178 | | 7512975 | * | LAMBDA-REGELSONDE | Lambda probe | LSU4.2 | | 2 |
| 6135 | | 7777795 | | STEUERGERÄT | Control unit | 2D LSU | | 1 |

Einspritzanlage / fuel injection system P54B32

Vers 10_2008



Einspritzanlage / fuel injection system P54B32

Vers 10_2008

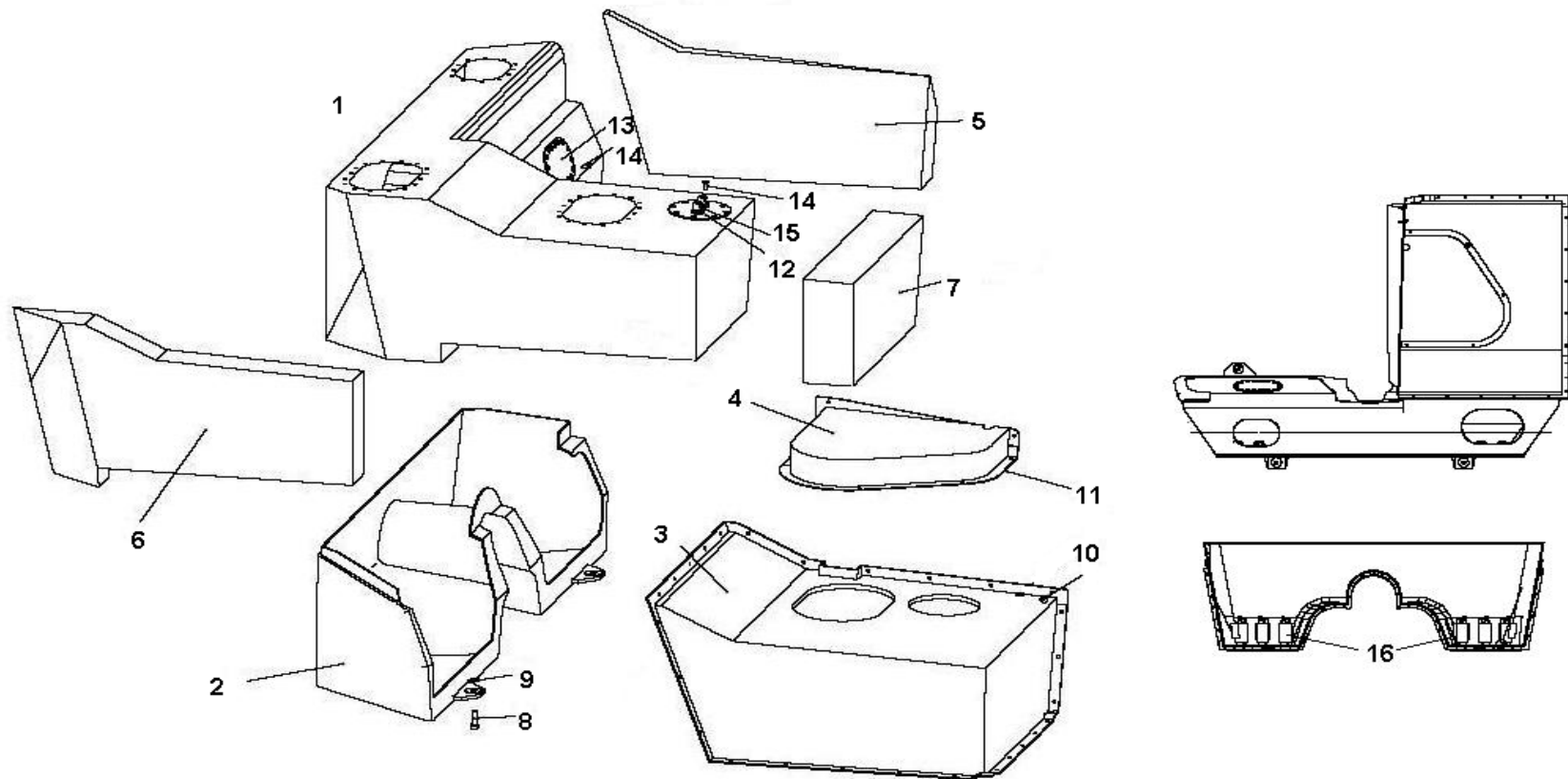
| | | Teilenr. | | | | | | | |
|-----|------|----------|---|------------------------------------|---------------------------------|------------|-------|-------|--|
| Pos | HGUG | Part no. | * | Bezeichnung | Description | Info | Dispo | Menge | |
| | 1353 | 8300048 | | EINSPRITZLEISTE MIT E-VENTILEN | Injection rail with injectors | | | 1 | |
| | 1722 | 2204797 | | VERSCHLUSSKAPPE | Plug | 929-06D | | 1 | |
| 1 | 1354 | 8300034 | | DROSSELKLAPPENSTUTZEN | Throttle housing | C1 | | 1 | |
| 2 | 1354 | 8300049 | | DROSSELKLAPPENSTUTZEN | Throttle housing | C2/4/5 | | 3 | |
| 3 | 1354 | 8300050 | | DROSSELKLAPPENSTUTZEN | Throttle housing | C3 | | 1 | |
| 4 | 1354 | 8300051 | | DROSSELKLAPPENSTUTZEN | Throttle housing | C6 | | 1 | |
| | | | | AWT Adapter | CT Adaptor | | ww | | |
| | 1354 | 7743752 | | ADAPTER | Adaptor | 1,931mm | | 1 | |
| | 1354 | 7743753 | | ADAPTER | Adaptor | 1,881mm | | 1 | |
| | | 9904005 | | GEWINDESTIFT | Pin | M4x4-45H | | 1 | |
| 5 | 1354 | 7743679 | | ZWISCHENPLATTE | Spacer | DK/Poti | | 1 | |
| 6 | 1362 | 7839080 | * | HALLSENSOR | Hall sensor | | | 1 | |
| 7 | | | | ZYLINDERSCHRAUBE | Screw | M4x60 | | 2 | |
| 8 | 1354 | 7831483 | * | O-RING | O-Ring | | | 6 | |
| 9 | 1354 | 7743689 | | ZUGSTANGE EINSTELLBAR | Strut adj. | | | 1 | |
| 10 | 1354 | 7832148 | * | ZUGSTANGE | Strut | | | 6 | |
| 11 | 712 | 9905541 | * | SECHSKANTMUTTER MIT SCHEIBE | Nut | | | 12 | |
| 12 | 1354 | 7838121 | * | BETÄTIGUNGSWELLE | Operating shaft | | | 1 | |
| 13 | 1354 | 7830567 | * | BETÄTIGUNGSSHEBEL | Lever | | | 7 | |
| 14 | 711 | 9932880 | * | SICHERUNGSSCHEIBE | Clip | | | 1 | |
| 15 | 1354 | 7836410 | * | PASSSCHRAUBE | Fit screw | | | 2 | |
| 16 | 711 | 9904475 | * | SECHSKANTMUTTER | Nut | M5.8 | | 7 | |
| 17 | 711 | 9904498 | * | SECHSKANTSCHRAUBE | Screw | M5x25-10.9 | | 5 | |
| | | | | für sonstige Umfänge siehe ETK | for other parts refer to EPC | | | | |
| | | | | für 24h-Rennen neu verbauen | for 24h race use new one | | | | |
| | 1362 | 7743759 | | STELLMOTOR ELEKTR. DK | Actuator | | | 1 | |
| | 1362 | 7743701 | | STELLHEBEL | Pos. Lever | | nB | 1 | |
| | 1354 | 7743677 | | GRUNDPLATTE | Base plate | | | 1 | |

3

3

Kraftstoffbehälter/ fuel tank

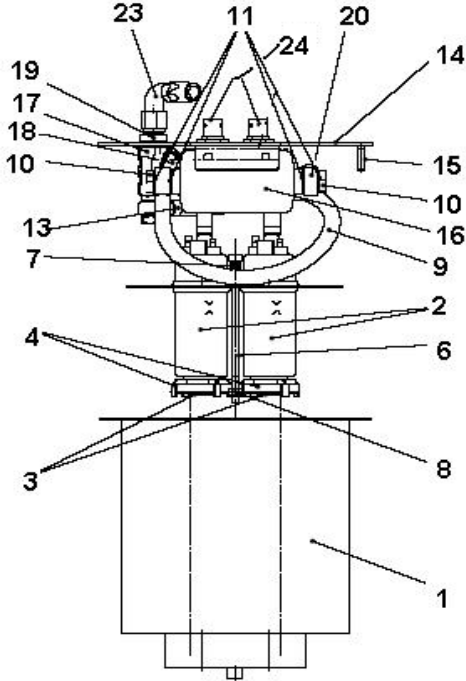
Vers 8_2007



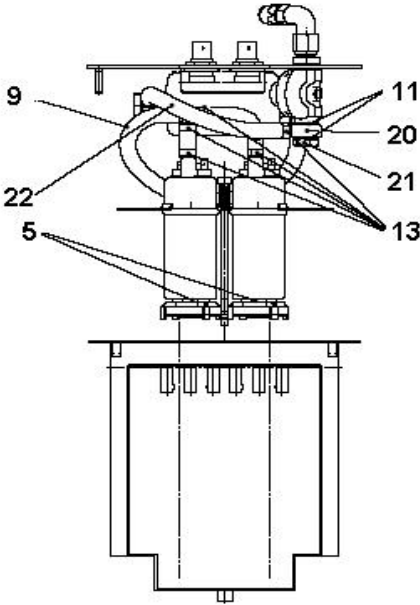
Kraftstoffbehälter/ fuel tank

Vers 8_2007

| | | Teilenr. | | | | | | | |
|-----|------|----------|---|-------------------------------------|--|----------------|-------|-------|--|
| Pos | HGUG | Part no. | * | Bezeichnung | Description | Info | Dispo | Menge | |
| 1 | 1610 | 7768609 | | KRAFTSTOFFBEHÄLTER | Fuel tank | 120l (Ethanol) | | 1 | |
| 1 | 1610 | 8304601 | | KRAFTSTOFFBEHÄLTER | Fuel tank | 100l (Ethanol) | nB | | |
| 2 | 1610 | 7768608 | | WANNE | Wanne | | | 1 | |
| 3 | 1610 | 7768659 | | TANKABDECKUNG | Covering | | | 1 | |
| 4 | 1610 | 7768736 | | ABDECKUNG | Cover | | | 1 | |
| 5 | 1610 | 7768915 | | EINLAGE | Insert | | | 1 | |
| 5 | 1610 | 7768867 | | EINLEGER | Insert | universal | nB | | |
| | | | | unter Kofferraumboden | under trunk floor | | | | |
| | 1610 | 7768947 | | EINLEGER | Insert | | | 2 | |
| | | | | Pos. 6+7 nur für 100l-Tank | Pos. 6+7 only valid for 100l-tank | | | | |
| 6 | 1610 | 8304603 | | EINLAGE | Insert | 100l re | nB | | |
| 7 | 1610 | 8304602 | | EINLAGE | Insert | 100l vo | nB | | |
| 8 | 0711 | 9920165 | * | ZYLINDERSCHRAUBE | Screw | M10x30 | | 4 | |
| 9 | 0711 | 9904607 | * | SCHEIBE | Washer | A10-200 HV | | 4 | |
| 10 | 3230 | 7750500 | | LINSENSCHRAUBE | Fillister | m.Fl.M6X20 1 | | 28 | |
| | 4131 | 7742891 | | EINNIETMUTTER | Nut | M.BOERDEL M6 | | 28 | |
| 11 | 1153 | 7769272 | | MOOSGUMMI | Rubber | 25x4 | | 3 | |
| 12 | 1610 | 7768872 | | PLATTE | Plate | | | 1 | |
| | 1610 | 7768916 | | DICHTUNG | Gasket | TF545V | nB | | |
| 13 | 1610 | 7768873 | | PLATTE | Plate | | | 1 | |
| | 1610 | 7768917 | | DICHTUNG | Gasket | TF550V | nB | | |
| 14 | 3510 | 8282517 | | SENKKOPFSCHRAUBE | Screw | M5X16 10.9 I | | 24 | |
| 15 | 1252 | 7741262 | | TANKDURCHFÜHRUNG | Lead-through | | | 2 | |
| | | | | Transferpumpensystem im Tank | Fuel pump system in tank | | | | |
| 16 | 1614 | 2224153 | | KRAFTSTOFFPUMPE | Fuel pump | VDO | | 6 | |
| | 1614 | 2305974 | * | SIEB | Strainer | | | 6 | |
| | 0712 | 2200784 | | KABELBINDER | Cable tie | 4,8X360 | | 12 | |
| | 1611 | 8277106 | | KRAFTSTOFFSCHLAUCH | Fuel hose | 910-06FC | | 6 | |
| | 1611 | 2328776 | * | SCHLAUCHKLEMME | Clamp | | | 12 | |



Front view



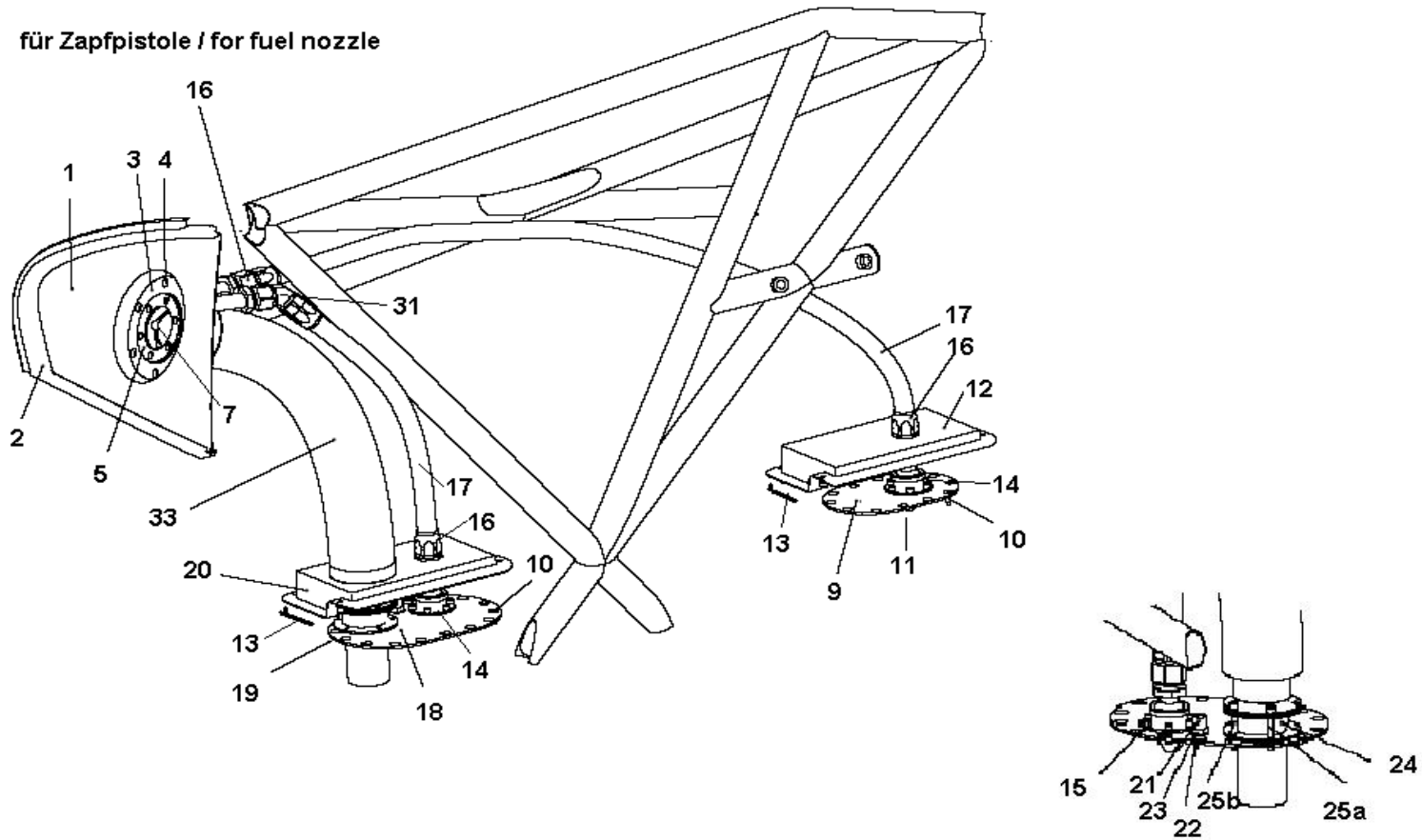
Rear view

Catchtank

Vers 8_2007

| Pos | HGUG | Teilenr. Part no. | * | Bezeichnung | Description | Info | Dispo | Menge |
|-----|------|----------------------|---|--------------------|------------------|--------------|-------|-------|
| 1 | 1610 | 7768699 | | CATCHTANK | Catch tank | | | 1 |
| 2 | 1614 | 7767509 | | KRAFTSTOFFPUMPE | Fuel pump | | | 2 |
| 3 | 1610 | 2223135 | | KRAFTSTOFFFILTER | Fuel Filter | | | 2 |
| 4 | 1610 | 2223136 | | GEHÄUSE | Housing | | | 2 |
| 5 | 1610 | 2223137 | | DICHTRING | Gasket ring | | | 2 |
| 6 | 1141 | 1416832 | | ZYLINDERSCHRAUBE | Fillister | M6x125 | | 2 |
| | 0711 | 9931044 | * | BEILAGSCHEIBE | Washer | 6.4 | | 2 |
| 7 | 1610 | 7768807 | | DRUCKFEDER | Spring | VD-180-13 | | 2 |
| 8 | 0711 | 9900560 | * | SECHSKANTMUTTER | Nut | M6-ZNS | | 2 |
| 9 | 1610 | 7768945 | | KRAFTSTOFFLEITUNG | fuel pipe | T-Stück | | 1 |
| 10 | 1614 | 8278437 | | HOHLSCHRAUBE | Hollow bolt | M14X1,5 L=25 | | 2 |
| 11 | 0711 | 9963200 | * | DICHTRING | Gasket ring | A14X18-AL | | 2 |
| 13 | 1612 | 1116458 | * | SCHLAUCHKLEMME | Hose clamp | | | 4 |
| | 1361 | 1308897 | * | SCHLAUCHKRÜMMER | Hose elbow | | | 1 |
| | 1612 | 1180409 | * | KRAFTSTOFFSCHLAUCH | Fuel hose | 8x13mm | | 0,1m |
| 14 | 1610 | 7768843 | | PLATTE | Plate | Catchtank | | 1 |
| | 1610 | 7768918 | | DICHTUNG | Gasket | TF551V | | 1 |
| 15 | 0711 | 9900892 | * | SENKSCHRAUBE | Screw | M6x25 | | 16 |
| 16 | 1332 | 7745248 | | KRAFTSTOFFFILTER | Fuel Filter | Typ 1262324 | | 1 |
| | 0712 | 2200784 | | KABELBINDER | Cable tie | 4,8X360 | | 2 |
| 17 | 1610 | 7768737 | | GEHÄUSE | Housing | Druckmindere | | 1 |
| 18 | 1353 | 1404089 | * | DRUCKREGLER | Press. Regulator | | | 1 |
| 11 | 0711 | 9963200 | * | DICHTRING | Gasket ring | A14X18-AL | | 4 |
| 19 | 1610 | 7768933 | | MUTTER | Nut | M16x1,5 Al B | | 1 |
| | 0711 | 9963300 | * | DICHTRING | Gasket ring | A18x22 | | 2 |
| | 0711 | 9934681 | * | SICHERUNGSRING | Lock ring | 36x1,5 | | 1 |
| 20 | 1612 | 8277980 | | RINGANSCHLUSS | Connection | 776-14-D6 NA | | 1 |
| 21 | 1600 | 8278048 | | HOHLSCHRAUBE | Hollow bolt | M14x1.5x21mm | | 1 |
| 22 | 2331 | 1228284 | * | KRAFTSTOFFSCHLAUCH | Fuel hose | 32mm-210mm | | 1 |
| 23 | 1722 | 1306397 | | ROHRBOGEN | Curved tube | 8120-D6 120° | | 1 |
| 24 | 1252 | 7741262 | | TANKDURCHFÜHRUNG | Lead-through | | | 2 |

für Zapfpistole / for fuel nozzle



Kraftstoffsystem / fuel tank system VLN

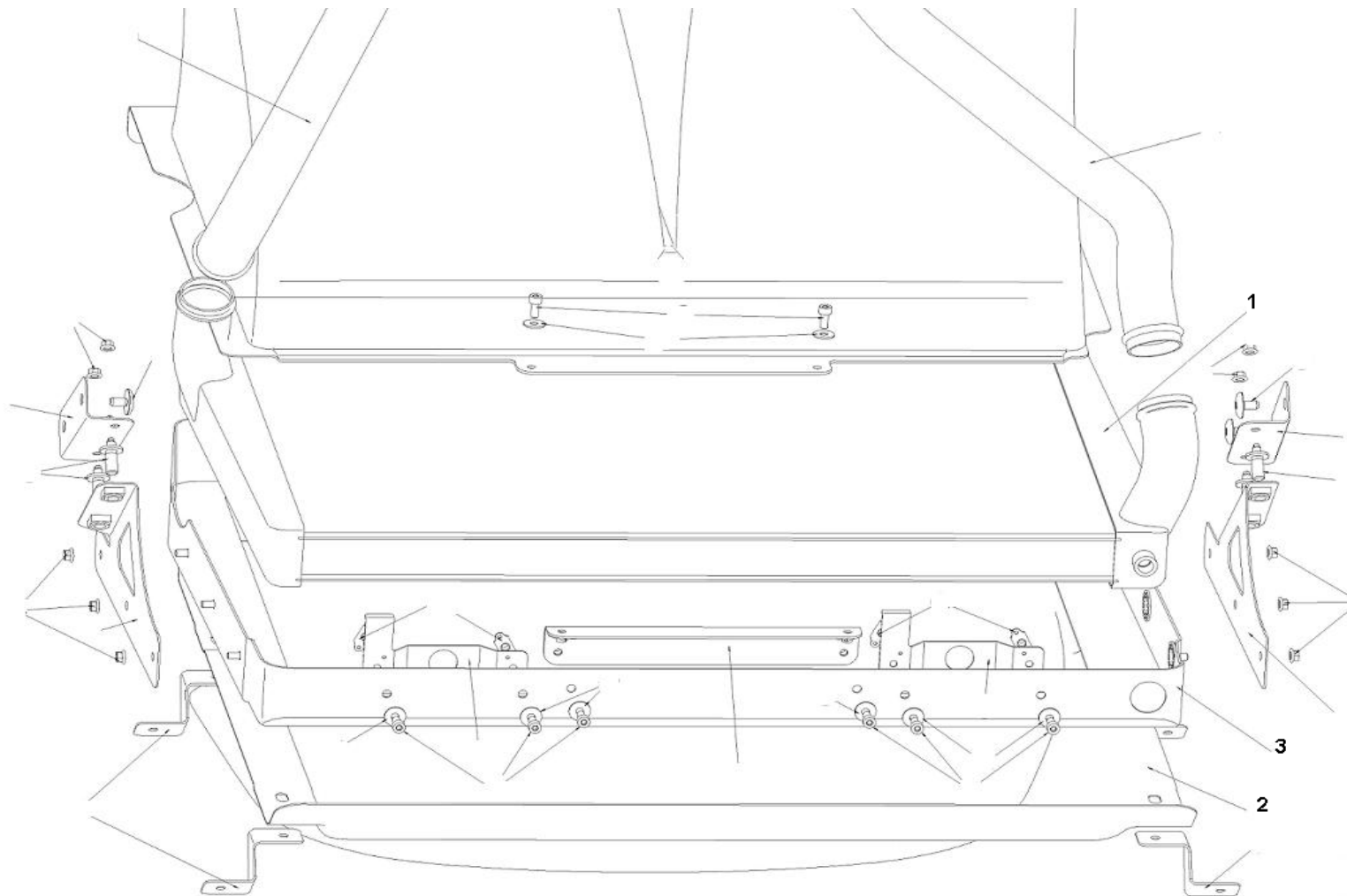
Vers 8_2007

| | | Teilenr. | | | | | | | |
|-----|------|----------|---|--------------------------------------|------------------------------|---------------|-------|-------|--|
| Pos | HGUG | Part no. | * | Bezeichnung | Description | Info | Dispo | Menge | |
| 1 | 1610 | 7768949 | | SEITENSCHLEIBE RECHTS | Side window | incl. Betank | | 1 | |
| | | | | Dichtung Seitenscheibe (*) verwenden | Use gasket of side glass (*) | | | | |
| 2 | 5137 | 3420808 | * | SEITENSCHLEIBE RECHTS | Side window | | | 1 | |
| 3 | 1610 | 8305072 | | ADAPTER | Adapter | | | 1 | |
| 4 | 0711 | 9900804 | * | SENKSCHRAUBE | Screw | M5x12 | | 12 | |
| 5 | 1611 | 7749363 | | BEFÜLLSTUTZEN | Filler neck | Flieger-tankd | | 1 | |
| 6 | 1610 | 7750368 | | TANKSTUTZEN | Connector | | | 1 | |
| 7 | 1611 | 7749362 | | DECKEL | Cover | FC36 | | 1 | |
| 8 | 1610 | 7750415 | | GUMMIDICHTUNG | Gasket | | | 2 | |
| | | | | Tankplatte links | Tank cover plate lh | | | | |
| 9 | 1610 | 8305066 | | ANSCHLUSSPLATTE | Plate | VLN | | 1 | |
| 10 | 0711 | 9903371 | * | SENKSCHRAUBE | Screw | M6x18 | | 12 | |
| 11 | 1611 | 8281904 | | FLACHDICHTUNG | Gasket | TANKPLATTE ' | | 1 | |
| 12 | 1610 | 7768851 | | ABDECKUNG LINKS | Cover | | | 1 | |
| 13 | 1100 | 7742103 | | MOOSGUMMI | Rubber | CR30 15x5mm | | 1 | |
| | | | | Tankplatte rechts | Tank cover plate rh | | | | |
| 18 | 1610 | 7768712 | | ANSCHLUSSPLATTE | Plate | re/rh | | 1 | |
| 19 | 1610 | 7750422 | | DICHTUNG | Gasket | 2012VG | | 1 | |
| 10 | 0711 | 9903371 | * | SENKSCHRAUBE | Screw | M6x18 | | 15 | |
| 20 | 1610 | 7768844 | | ABDECKUNG RECHTS | Cover | VLN | | 1 | |
| 13 | 1100 | 7742103 | | MOOSGUMMI | Rubber | CR30 15x5mm | | 1 | |

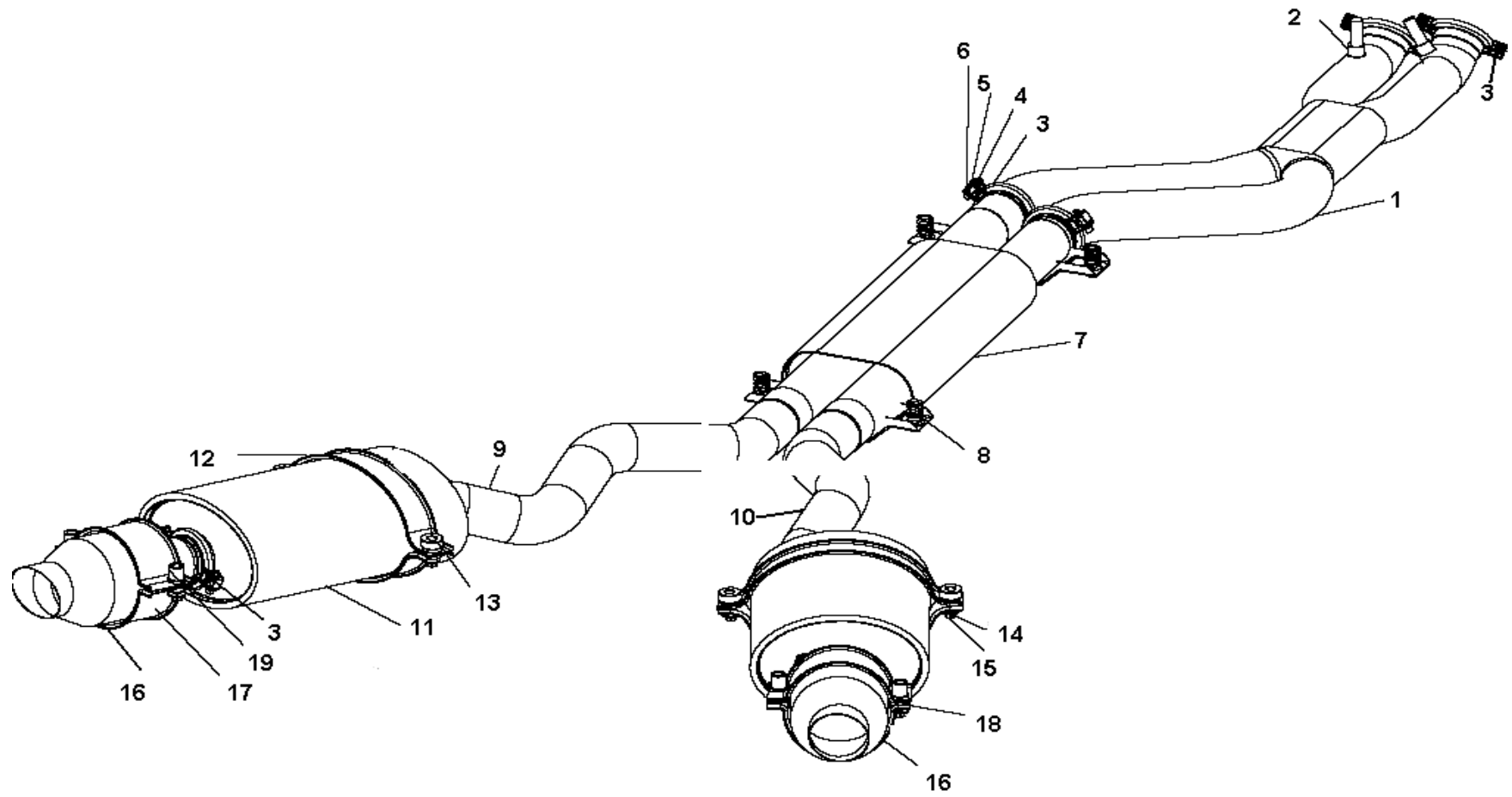
Kraftstoffsystem / fuel tank system VLN

Vers 8_2007

| | | | | | | |
|-----|------|---------|-----------------------------------|--------------------------------|--------------|-------|
| 21 | 1722 | 2221557 | ADAPTER | Adapter | 919-14x1,5-D | 1 |
| 22 | 1611 | 8278104 | MUTTER | Nut | 924-14x1,5 | 1 |
| 23 | 0711 | 9963200 | * DICHRING | Gasket ring | A14x14 Al | 1 |
| 24 | 1610 | 7768871 | ADAPTER | Adapter | | 1 |
| 25a | 1231 | 2322417 | * ZYLINDERSCHRAUBE | Cyl. Screw | M5x45 | 5 |
| 25b | 3231 | 2224947 | ZYLINDERSCHRAUBE | Cyl. Screw | M6x45 12.9 | 1 |
| 26 | 1611 | 7768073 | RÜCKSCHLAGVENTIL | checkvalve | | 1 |
| 27 | 1610 | 7750416 | GUMMIDICHTUNG | Gasket | | 2 |
| 28 | 1610 | 8305076 | TANKSTUTZEN | Connector | Rück.Ventil | 1 |
| 29 | 3230 | 7750500 | LINSENSCHRAUBE | Fillister | m.Fl.M6X20 1 | 8 |
| 30 | 4131 | 7742891 | EINNIETMUTTER | Nut | M.BOERDEL M6 | 8 |
| | | | Entlüftungsleitungen li+re | Ventilation hoses lh+rh | | |
| 14 | 1610 | 7768893 | ENTLÜFTERVERTIL | Valve | NA VV17-1 | 2 |
| | 1610 | 7750421 | O-RING | O-Ring | 35x2 | 2 |
| 15 | 0711 | 9920144 | * ZYLINDERSCHRAUBE | Cyl. Screw | M5x16-Z1 | 12 |
| | 0711 | 9931030 | * BEILAGSCHEIBE | Washer | 5,3 sw | 12 |
| 16 | 1722 | 1305816 | SCHLAUCHANSCHLUSS | Hose connect | D12 | 3 |
| 17 | 1722 | 1305815 | SCHLAUCH | Hose | 4000-12D | 1,25m |
| 17 | 1722 | 1305815 | SCHLAUCH | Hose | 4000-12D | 0,5m |
| 31 | 1722 | 1313077 | SCHLAUCHANSCHLUSS | Hose connect | 8045-12D | 1 |
| | | | Betankungsleitung | Fueling hose | | |
| 32 | 1610 | 7750369 | KRAFTSTOFFSCHLAUCH | Fuel hose | 50x510 | 1 |
| 33 | 1610 | 7750370 | SCHUTZSCHLAUCH | Hose | Alu l=2000 m | 1 |
| 34 | 0712 | 9952121 | * SCHLAUCHSCHELLE | Hose Clamp | L47-54 | 2 |
| 35 | 0712 | 9952131 | * SCHLAUCHSCHELLE | Hose Clamp | L77-84 | 2 |



| Pos | HGUG | Teilenr. Part no. | * | Bezeichnung | Description | Info | Dispo | Menge |
|-----|------|----------------------|---|----------------------------------|----------------|-------|-------|-------|
| 1 | | 8304829 | | Schac Schac Einkleberahmen | | | | |
| 2 | | 7768725 | | | | | | |
| 3 | | 7768726 | | | | | | |
| 4 | | 8304976 | | WASSERKÜHLER | Water radiator | | | 1 |
| 5 | | 8305001 | | RAHMEN | Frame | | | 1 |
| 6 | | 8304833 | | | | | | 1 |
| 7 | | 8304834 | | | | | | 1 |
| 8 | | 1313169 | | | | | | 8 |
| 9 | | 7768722 | | | | | | 2 |
| 10 | | 8256854 | * | KOMBISCHRAUBE | | | | 4 |
| 11 | | 7046442 | * | GEWINDEBOLZEN | | | | 4 |
| 12 | | 1313170 | * | | | | | 4 |
| 13 | | 8305047 | | | | | | 1 |
| 14 | | 8305002 | | | | | | 2 |
| 15 | | 1417589 | | | | | | 4 |
| 16 | | 9903323 | * | TORXSCHRAUBE | | M5x12 | | 10 |
| 17 | | 9936416 | * | BEILAGSCHEIBE | Washer | 5.3 | | 10 |



Abgasanlage / exhaust system

Vers 03_2008

| | | Teilenr. | | | | | | |
|-----|------|----------|---|--|---|-------------|-------|-------|
| Pos | HGUG | Part no. | * | Bezeichnung | Description | Info | Dispo | Menge |
| 1 | 1800 | 8291449 | | X-ROHR | X-Hose | | | 1 |
| | 1800 | 4276248 | | DICHTUNG | Gasket | d=70mm | | 8 |
| 2 | 1178 | 7512975 | * | LAMBDA-REGELSONDE | Lambda probe | | | 2 |
| 3 | 1821 | 7742562 | | SCHELLEN | Clamp | 87mm | | 8 |
| 4 | 1100 | 2190417 | | SECHSKANTMUTTER M. SCHEIBE | Hex nut w. washer | M6 Kay HWM | | 16 |
| 5 | 0711 | 9920001 | * | ZYLINDERSCHRAUBE | Cylinder screw | M6x30 Z3 | | 16 |
| 6 | 0711 | 9934625 | * | BEILAGSCHEIBE | Washer | 6.4 | | 16 |
| | | | | Varianten Vorschalldämpfer | Options Pre-silencer | | | |
| 7 | 1800 | 8299700 | | VORSCHALLDÄMPFER | Pre-silencer | VLN 100dBA | | 1 |
| 7 | 1800 | 8299512 | | VORSCHALLDÄMPFER | Pre-silencer | 103dBA | nB | 1 |
| 7 | 1800 | 8299504 | | DOPPELAUSPUFFROHR | Twin-hose assy | 110dBA | nB | 1 |
| 8 | 1131 | 7830890 | * | FEDER (Innenteil) | Spring (Inner part) | | | 4 |
| 9 | 1800 | 8299532 | | AUSPUFFROHR | Exhaust pipe | li/lh | | 1 |
| 10 | 1800 | 8299538 | | AUSPUFFROHR | Exhaust pipe | re/rh | | 1 |
| 11 | 1800 | 8299536 | | ENDSCHALLDÄMPFER | Rear silencer | li+re/lh+rh | | 2 |
| 12 | 1800 | 8299586 | | HALTER | Bracket | | | 2 |
| 13 | 1800 | 8299616 | | BUCHSE | Bush | | | 4 |
| 14 | 0711 | 9936439 | * | BEILAGSCHEIBE | Washer | 10.5 | | 16 |
| 15 | 1100 | 1313177 | | SECHSKANTMUTTER | Hex. Nut | M10 Kay | | 12 |
| 16 | 1800 | 8299513 | | KATALYSATOR | Catalyst | | | 2 |
| | | | | ohne Endschalldämpfer+Katalysator (anstelle Pos. 11+16) | with rear silencer+catalysts (instead of Pos. 11+16) | | | |
| | 1800 | 8299574 | | ENDROHR | Rear pipe | 110dBA | nB | 2 |
| 17 | 1800 | 8299585 | | HALTER | Bracket | li/lh | | 1 |
| 18 | 1800 | 8299587 | | HALTER | Bracket | re/rh | | 1 |
| 19 | 1800 | 8299504 | | BUCHSE | Bush | | | 4 |

Kupplung, Ausrücklager und Leitungen/ clutch, release bearing and lines

Vers 03_2008

| Pos | HGUG | Teilenr. Part no. | * | Bezeichnung | Description | Info | Dispo | Menge |
|------|------|----------------------|---|-------------------------------------|----------------------------|-------------|-------|-------|
| 2110 | | 8304804 | | KUPPLUNGSGLOCKE | Clutch housing | Xtrac 545 | | 1 |
| | | | | Befestigung an Getriebe | mounting to gearbox | | | |
| 2110 | | 8304775 | | GEWINDEBOLZEN | Threaded bolt | M12x1,5 | | 4 |
| 0711 | | 9904119 | * | SCHEIBE | Washer | 12-300 HV | | 4 |
| 3333 | | 2270119 | | SECHSKANTMUTTER | Hex. Nut | Kay M12x1,5 | | 4 |
| | | | | Befestigung an Motor | mounting to engine | | | |
| 2300 | | 1222891 | * | ASA-SCHRAUBE | ASA-screw | M12x50 | | 2 |
| 2300 | | 1222893 | * | ASA-SCHRAUBE | ASA-screw | M12x75 | | 2 |
| | | | | Lieferumfang Sinter-Kupplung | Sinter clutch assy | | | |
| 2120 | | 7768588 | | DRUCKPLATTE | Pressure plate | AP CP7372 | | 1 |
| 2120 | | 8310625 | | MITNEHMERSCHEIBE | Drive plate | AP CP4429 | | 2 |
| | | | | Befestigung Kupplung | Clutch mounting | | | |
| 0711 | | 9919601 | * | ZYLINDERSCHRAUBE | CYL screw | M8x40 10.9 | | 6 |
| 0711 | | 9931684 | * | SCHEIBE | Washer | 8,4-140 HV | | 6 |

Kupplung, Ausrücklager und Leitungen/ clutch, release bearing and lines

Vers 03_2008

| Pos | HGUG | Teilenr. Part no. | * | Bezeichnung | Description | Info | Dispo | Menge |
|------|------|----------------------|---|--|----------------------------------|-------------|-------|-------|
| 2151 | | 7750966 | | ZENTRAL-AUSRÜCKLAGER | Central clutch release bearing | Tilton | | 1 |
| | | | | Ausrücklager an Glocke | Release bearing to bell | | | |
| 1231 | | 7742223 | | ZYLINDERSCHRAUBE | CYL screw | M6x22 10.9 | | 3 |
| 0711 | | 9931044 | * | SCHEIBE | Washer | A6,4-140 HV | | 3 |
| 2152 | | 6773670 | * | GEBERZYLINDER | Master cylinder | | | 1 |
| | | | | Geberzylinder an Pedalbock | Cylinder to pedal support | | | |
| 0711 | | 9912357 | * | SECHSKANTSCHRAUBE | Hex. Screw | M6x65 | | 1 |
| 0711 | | 9912310 | * | SECHSKANTSCHRAUBE | Hex. Screw | M6x40 | | 1 |
| 0712 | | 9900191 | * | SECHSKANTMUTTER | Hex. Nut | M6 STOP | | 1 |
| | | | | Geberzylinder an Kupplungspedal | Cylinder to clutch pedal | | | |
| 3531 | | 1163874 | * | BOLZEN GEBERZYLINDER | Pin | | | 1 |
| | | | | Druckleitung Kupplung | Pressure line | | | |
| 2152 | | 7750496 | | ADAPTER | Adaptor | Dash3 | | 1 |
| 2152 | | 1160181 | * | O-RING | O-RING | | | 1 |
| 2152 | | 8304960 | | LEITUNG I | Line I | D3 480mm | | 1 |
| 2121 | | 7767242 | | SCHNELLKUPPLER Kuppler | Quick release coupler | D3 steel | | 1 |
| 2121 | | 7767241 | | SCHNELLKUPPLER Nippel | Quick release nipple | D3 steel | | 1 |
| 7112 | | 7777899 | | BEFESTIGUNGSELEMENT | Fastener | TM 3S8 | | 1 |
| 0712 | | 9948753 | * | NIET | Rivet | 4-3A | | 2 |
| 6113 | | 1377134 | * | KABELBAND | Cable strap | 292mm | | 2 |
| 2152 | | 8304959 | | LEITUNG II | Line II | D3 225mm | | 1 |

Kupplung, Ausrücklager und Leitungen/ clutch, release bearing and lines

Vers 03_2008

| Pos | HGUG | Teilenr. Part no. | * | Bezeichnung | Description | Info | Dispo | Menge |
|------|------|----------------------|---|------------------------------------|-------------------------|--------------|-------|-------|
| 2152 | | 8304958 | | LEITUNG III (Entlüftung) | Line III (vent.) | | | 1 |
| | | | | Befestigung Entlüftungsltg. | Mount vent. Line | | | |
| 2152 | | 8304692 | | HALTER | Bracket | | | 1 |
| 2152 | | 7769360 | | BORDWANDDUCHFÜHRUNG | Bulkhead adaptor | 832-10x1-03D | | 1 |
| 3450 | | 2223762 | | ENTLÜFTERSCHRAUBE | Vent screw | M10x1 | | 1 |
| 0712 | | 9952117 | * | SCHLAUCHSCHELLE | Hose clamp | L37-43 | | 2 |
| 2152 | | 1117729 | * | AUSGLEICHBEHÄTER | Expansion tank | | | 1 |
| 5171 | | 8277117 | | HALTER | Bracket | | | 1 |
| 6113 | | 1377134 | * | KABELBAND | Cable strap | 292mm | | 4 |
| 2152 | | 1163714 | * | SCHLAUCH | Hose | 7,5x13 | lfd.m | 1 |
| 2152 | | 1156082 | * | TÜLLE | Grommet | | | 2 |
| 1612 | | 1116458 | * | SCHLAUCHKLEMME | Hose clamp | | | 2 |

Motor- und Getriebeaufhängung / engine and gearbox mounting

Vers 03_2008

| Pos | HGUG | Teilenr. Part no. | * | Bezeichnung | Description | Info | Dispo | Menge |
|-----|------|----------------------|---|--|----------------------------------|------------------|-------|-------|
| | | | | (Tragbock li ist am LU Motor montiert) | (Support lh mounted to engine) | | | |
| | 2200 | 8299547 | | MOTORTRAGBOCK LINKS | Support lh | | | 1 |
| | 2200 | 8299548 | | MOTORTRAGBOCK RECHTS | Support rh | | | 1 |
| | | | | Tragbock li an Kurbelgehäuse | support lh to crankcase | | | |
| | 0711 | 9913653 | * | SECHSKANTSCHRAUBE | Hex. Screw | M8x25 10.9 | | 2 |
| | 0711 | 9913673 | * | SECHSKANTSCHRAUBE | Hex. Screw | M8x35 10.9 | | 2 |
| | 0711 | 9903078 | * | SCHEIBE | Washer | 8-200 HV | | 4 |
| | | | | Tragbock re an Kurbelgehäuse | support rh to crankcase | | | |
| | 0711 | 9913653 | * | SECHSKANTSCHRAUBE | Hex. Screw | M8x25 10.9 | | 4 |
| | 0711 | 9903078 | * | SCHEIBE | Washer | 8-200 HV | | 4 |
| | | | | Tragbock an VA-Träger | support to front X-member | | | |
| | 2211 | 8304860 | | ZYLINDERSCHRAUBE | CYL screw | M12x1,75x45 12.9 | | 2 |
| | 0711 | 9904151 | * | SCHEIBE | Washer | 12-200 HV | | 2 |
| | 2230 | 8304703 | | Querträger Getriebe | X-Member | Xtrac 545 | | 1 |
| | | | | Querträger an Getriebe | X-meber to gearbox | | | |
| | 0711 | 9903753 | * | ZYLINDERSCHRAUBE | CYL screw | M8x16 12.9 | | 4 |
| | 0711 | 9903078 | * | SCHEIBE | Washer | 8-200 HV | | 4 |
| | | | | Querträger an Karosse | X-meber to bodyshell | | | |
| | 2231 | 8304770 | | Exzenterbuchse | Bush | excentric | | 2 |
| | 0711 | 9904133 | * | SECHSKANTSCHRAUBE | Hex. Screw | M10x20 10.9 | | 2 |

Schaltgetriebe / gearbox Xtrac 545

Vers 02_2008

| Pos | HGUG | Teilenr. Part no. | * | Bezeichnung | Description | Info | Info/ Dispo | Menge |
|-----|------|----------------------|---|--|--|--------------|------------------|-------|
| | 2300 | 7768533 | | 6 GANG GETRIEBE SEQUENTIELL (DG 23/22; I= 13/39; II=15/31; III=16/27; IV=18/26; V=19/24;VI=23/26) | Gearbox 6-speed seq. | X545 | | 1 |
| | 2301 | 8304713 | | 1.Gang (...<2007) RADSATZ | 1st gear Gear set / layshaft | X427 13/39 L | Nbg (1.) * | |
| | 2301 | 8310680 | | 1.Gang (ab 05.2008) RADSATZ | 1st gear layshaft nitted Gear set / layshaft | | | 1 |
| | 2301 | 8310681 | | MUTTER | Inner track nut | | | 1 |
| | 2301 | 8310682 | | SICHERUNGSRING | Lock ring | | | 1 |
| | 2301 | 8310683 | | O-RING | O-Ring | 30x1,5 | | 2 |
| | 2301 | 8304714 | | AWT 2.-6.Gang RADSATZ | CT 2nd-6th gear Gear set | X427 15/31 | nB Nbg (2.) * | |
| | 2301 | 8304721 | | RADSATZ | Gear set | X427 16/27 | Nbg (3.) * | |
| | 2301 | 8304730 | | RADSATZ | Gear set | X427 18/26 | Nbg (4.) * | |
| | 2301 | 8304731 | | RADSATZ | Gear set | X427 21/30 | | |
| | 2301 | 8304739 | | RADSATZ | Gear set | X545 18/23 | Nbg (5.) * | |
| | 2301 | 8304740 | | RADSATZ | Gear set | X427 19/24 | | |
| | 2301 | 8304741 | | RADSATZ | Gear set | X427 20/25 | | |
| | 2301 | 8305049 | | RADSATZ | Gear set | X545 21/27 | Nbg (5.) * | |
| | 2301 | 8304746 | | RADSATZ | Gear set | X545 20/23 | Nbg (6.) * | |
| | 2301 | 8304747 | | RADSATZ | Gear set | X427 23/26 | | |
| | 2301 | 8304748 | | RADSATZ | Gear set | X545 18/20 | | |
| | 2301 | 8304749 | | RADSATZ | Gear set | X545 20/22 | | |

Schaltgetriebe / gearbox Xtrac 545

Vers 02_2008

| Pos | HGUG | Teilenr. Part no. | * | Bezeichnung | Description | Info | Info/ Dispo | Menge |
|-----|------|----------------------|---|----------------------|---------------------|--------------|----------------|-------|
| | | | | AWT Drop gear | CT drop gear | | nB | |
| | 2301 | 8304763 | | RADSATZ | Gear set | X545 23/22 D | Nbg * | |
| | 2301 | 8304756 | | RADSATZ | Gear set | X545 21/26 D | | |
| | 2301 | 8304757 | | RADSATZ | Gear set | X545 22/26 D | | |
| | 2301 | 8304758 | | RADSATZ | Gear set | X545 23/26 D | | |
| | 2301 | 8304759 | | RADSATZ | Gear set | X545 20/22 D | | |
| | 2301 | 8304760 | | RADSATZ | Gear set | X545 24/26 D | | |
| | 2301 | 8304762 | | RADSATZ | Gear set | X427 24/24 D | | |

* optimale Übersetzung für Nordschleife Nürburgring mit 710-Bereifung auf HA
best ratios for Nordschleife Nürburgring with 710 rear tyres

Schaltgetriebe / gearbox Xtrac 545

Vers 02_2008

| Pos | HGUG | Teilenr. Part no. | * | Bezeichnung | Description | Info | Info/ Dispo | Menge |
|------|---------|--|---|-------------------------|--------------|------|----------------|-------|
| 2301 | 8304799 | ÜBERHOLSATZ | | Rebuild kit | X545 | | | |
| | | beinhaltet nachfolgend aufgeführte Teile | | includes shown parts | | | > Xkit | |
| | | Dichtungen und Dichtringe | | Gasket and Seals | | | | |
| 1353 | 1319797 | O-RING | | O-Ring | D8 14x1,78 W | | | |
| 2300 | 8278708 | O-RING | | O-Ring | 9,1x1,6 Vito | | | |
| | | O-RING | | O-Ring | 7,66x1,78 | Xkit | | 1 |
| 1113 | 2191149 | O-RING | | O-Ring | 21x2 | Xkit | | 1 |
| 1141 | 1306082 | * O-RING | | O-Ring | 16x2 Viton | Xkit | | 1 |
| 1354 | 1417520 | O-RING | | O-Ring | 47x1,5 Viton | | | |
| 2300 | 8278328 | O-RING | | O-Ring | 204x3 | | | 1 |
| 1100 | 7733075 | O-RING | | O-Ring | 15x1,5 | Xkit | | 1 |
| 1353 | 1319797 | O-RING | | O-Ring | 14x1,78 | | | |
| 1100 | 7764696 | O-RING | | O-Ring | 26x3 | Xkit | | 1 |
| | | O-RING | | O-Ring | 66,4x1,78 | Xkit | | 1 |
| 1161 | 7742580 | O-RINGSCHNUR | | O-Ring cord | 3mm | Xkit | | |
| 2300 | 8278367 | O-RINGSCHNUR | | O-Ring cord | 1,78mm | Xkit | | |
| 2300 | 8278301 | WELLENDICHTRING | | Shaft seal | X 45x62x7 | | | |
| 2300 | 8300712 | WELLENDICHTRING | | Shaft seal | 35x47x7 | Xkit | | 1 |
| 2301 | 8304916 | WELLENDICHTRING | | Shaft seal | 12x20x5 | Xkit | | 1 |
| | | Lager | | Bearings | | | | |
| 2300 | 8278135 | KUGELLAGER | | Roller brg. | 30x62x16 | | | |
| 2300 | 8278722 | KUGELLAGER | | Roller brg. | 35x72x17 | | 8300696 | |
| 2300 | 8278255 | KUGELLAGER | | Roller brg. | 40x52x7 6180 | | | 2 |
| 2301 | 8304939 | KUGELLAGER | | Roller brg. | 35x72x17 mod | | | 4 |
| 2300 | 8278361 | KUGELLAGER | | Roller brg. | X 12x24x6 | | | 2 |
| 2300 | 8300697 | NADELKÄFIG | | NEEDLE CAGE | K16x20x13 | | | 1 |

Schaltgetriebe / gearbox Xtrac 545

Vers 02_2008

| Pos | HGUG | Teilenr. Part no. | * | Bezeichnung | Description | Info | Info/ Dispo | Menge |
|-----|------|----------------------|---|--------------|--------------|---------------|----------------|-------|
| | 2301 | 8304904 | | SELEKTORRING | Select. ring | X545 | Xkit | 3 |
| | 2300 | 8278254 | | MUTTER | Nut | X M40x1,25 | | 2 |
| | 2300 | 8278642 | | ANSCHLUSS | Union | | | |
| | 2301 | 8304894 | | LAGERSCHALE | Bearingshell | X 426-422-01 | | |
| | 2301 | 8304895 | | LAGERSCHALE | Bearingshell | X 426-421-00 | | |
| | 2301 | 8304900 | | DISTANZSTÜCK | Spacer | X 195-421-00 | | |
| | 2301 | 8304903 | | DISTANZSTÜCK | Spacer | X 427-421-00 | | |
| | 2301 | 8304909 | | PUMPE | Pump | X 407-950-00 | | |
| | 2300 | 8278297 | | FILTER | Filter | X 133-475-02 | Xkit | 1 |
| | 2300 | 8278215 | | BOWDENZUG | Bowden cable | Neutral "X" | | |
| | 2301 | 8304801 | | WERKZEUG | Tool | X545 tool kit | | |
| | 2301 | 8310684 | | WERKZEUG | Tool | LS 2008 | | |
| | 2301 | 8310685 | | WERKZEUG | Tool | LS 2008 | | |

Für weitere Teile wenden Sie sich bitte an BMW Motorsport oder Xtrac direkt
 For other spare parts please contact BMW Motorsport or Xtrac directly

















































































Getriebekühlung / gearbox cooling

Vers 10_2008

| Pos | HGUG | Teilenr. Part no. | * | Bezeichnung | Description | Info | Dispo | Menge |
|------|------|----------------------|---|------------------------------------|-----------------------------------|----------|-------|-------|
| | | | | Ölpumpe ist im Getriebe integriert | Oil pump is integrated in gearbox | | | |
| | | 8305015 | | ÖLKÜHLER | Oil radiator | | | 1 |
| | | | | Befestigung Kühler vorne | Mount of radiator in front | | | |
| 1710 | | 7768982 | | HALTER LINKS | Bracket lh | | | 1 |
| 2313 | | 8310634 | | HALTER RECHTS | Bracket rh | | | 1 |
| 1100 | | 2190416 | | SECHSKANTMUTTER | Hex. Nut | Kay M5 | | 4 |
| 0711 | | 9902859 | * | ZYLINDERSCHRAUBE | CYL screw | M5x12 | | 4 |
| 0711 | | 9904214 | * | SCHEIBE | Washer | M5 | | 4 |
| 0711 | | 9913112 | * | SECHSKANTSCHRAUBE | Hex. Screw | M5x10 | | 4 |
| | | | | Vorlaufleitung | Feed line | | | |
| 1722 | | 2204908 | | SCHLAUCHANSCHLUSS | Hose connector | 8045-06D | | 2 |
| 8130 | | 4670330 | | SCHLAUCH | connector | 800-06D | | 1 |
| | | | | Rücklaufleitung | Return line | | | |
| 1722 | | 2204908 | | SCHLAUCHANSCHLUSS | Hose connector | 8045-06D | | 1 |
| 8130 | | 4670330 | | SCHLAUCH | connector | 800-06D | | 2 |
| 1722 | | 2204802 | | SCHLAUCHANSCHLUSS | Hose connector | 8090-06D | | 1 |

Schaltung/shift mechanism

Vers 03_2008

| Pos | HGUG | Teilenr. Part no. | * | Bezeichnung | Description | Info | Dispo | Menge |
|------|------|---|---|---------------------|--|---------------|-------|-------|
| | | bitte Typ Hebel/Montage beachten | | | please take notice of type lever/mounting | | | |
| 2510 | | 8282586 | | SCHALTHEBEL | Shift lever | 2006 | ww | 1 |
| 2510 | | 8304981 | | SCHALTHEBEL | Shift lever | <Q2/2008 | ww | 1 |
| 2512 | | 8304973 | | ENTRIEGELUNGSHEBEL | Release lever | | | 1 |
| 2512 | | 8304974 | | STELLSCHRAUBE | Adjsuting screw | | | 1 |
| 2512 | | 8304975 | | KLEMMNIPPEL | Nipple | | | 1 |
| 0712 | | 9903655 | * | ISA-SCHRAUBE | ISA-screw | M5x10 | | 1 |
| 2511 | | 8277905 | | SCHALTHEBELKNOPF | SHIFT KNOB | "Golf" | | 1 |
| | | Lagerung Schalthebel | | | Mounting shift lever | | | |
| 2510 | | 7768586 | | LAGERBOCK | Bracket | 2006 | ww | 2 |
| 2512 | | 8304983 | | LAGERBOCK | Bracket | <Q2/2008 | ww | 2 |
| 1136 | | 1313170 | * | SECHSKANTMUTTER | Hex. Nut | Kay M6 | | 2 |
| 0711 | | 9903791 | * | SCHEIBE | Washer | 6-200 HV | | 2 |
| 2510 | | 8282788 | | SCHALTHEBELLAGERUNG | Shift lever bearing | 2006 | ww | 1 |
| 2611 | | 7502840 | | LAGERBUCHSE | Bush bearing | <Q2/2008 | ww | 1 |
| 0711 | | 9900677 | * | ZYLINDERSCHRAUBE | CYL screw | M5x20 Z1 10.9 | | 2 |

Schaltung/shift mechanism

Vers 03_2008

| Pos | HGUG | Teilenr. Part no. | * | Bezeichnung | Description | Info | Dispo | Menge |
|-----|------|----------------------|---|---|-----------------------------------|--------------------|-------|-------|
| | 2510 | 8298271 | | SCHALTSTANGE | Shift rod | DMS appl. | | 1 |
| | 6135 | 8298272 | | VERSTÄRKER | Amplifier | | | 1 |
| | 2510 | 8300811 | | GELENKKOPF | Joint head | SMRCD6 | | 1 |
| | 0711 | 9915501 | * | SECHSKANTMUTTER | Hex. Nut | M6-8 | | 1 |
| | 2510 | 8300812 | | GELENKKOPF | Joint head | SMLRCD6 | | 1 |
| | 0711 | 9922061 | | SECHSKANTMUTTER | Hex. Nut | M6 li | | 1 |
| | | | | Verschraubung Hebel/Schaltstange | Connection lever/shift rod | | | |
| | 2510 | 8304667 | | PASSBOLZEN M6 | Fit screw M6 | 2006 | ww | 1 |
| | 2512 | 8304982 | | PASSBOLZEN M6 | Fit screw M6 | <Q2/2008 | ww | 1 |
| | 2510 | 8304666 | | DISTANZSCHEIBE | Shim | | | 2 |
| | 0712 | 9902981 | * | SECHSKANTMUTTER | Hex. Nut | AM6-8 | | 1 |
| | | | | Verschraubung Stange/Getriebe | Connection rod/gearbox | | | |
| | 2510 | 8282930 | | BOLZEN | Pin | | | 1 |
| | 2510 | 8282929 | | BUCHSE | Bush | metric | | 2 |
| | 1100 | 1313169 | | SECHSKANTMUTTER | Hex. Nut | Kay M5 | | 1 |

































































Kardanwelle / prop. Shaft

Vers 8_2007

| Pos | HGUG | Teilenr. Part no. | * | Bezeichnung | Description | Info | Dispo | Menge |
|-----|------|----------------------|---|-------------|-------------|--------|-------|-------|
| | 2610 | 8304773 | | GELENKWELLE | Drive shaft | Z4 "X" | | 1 |

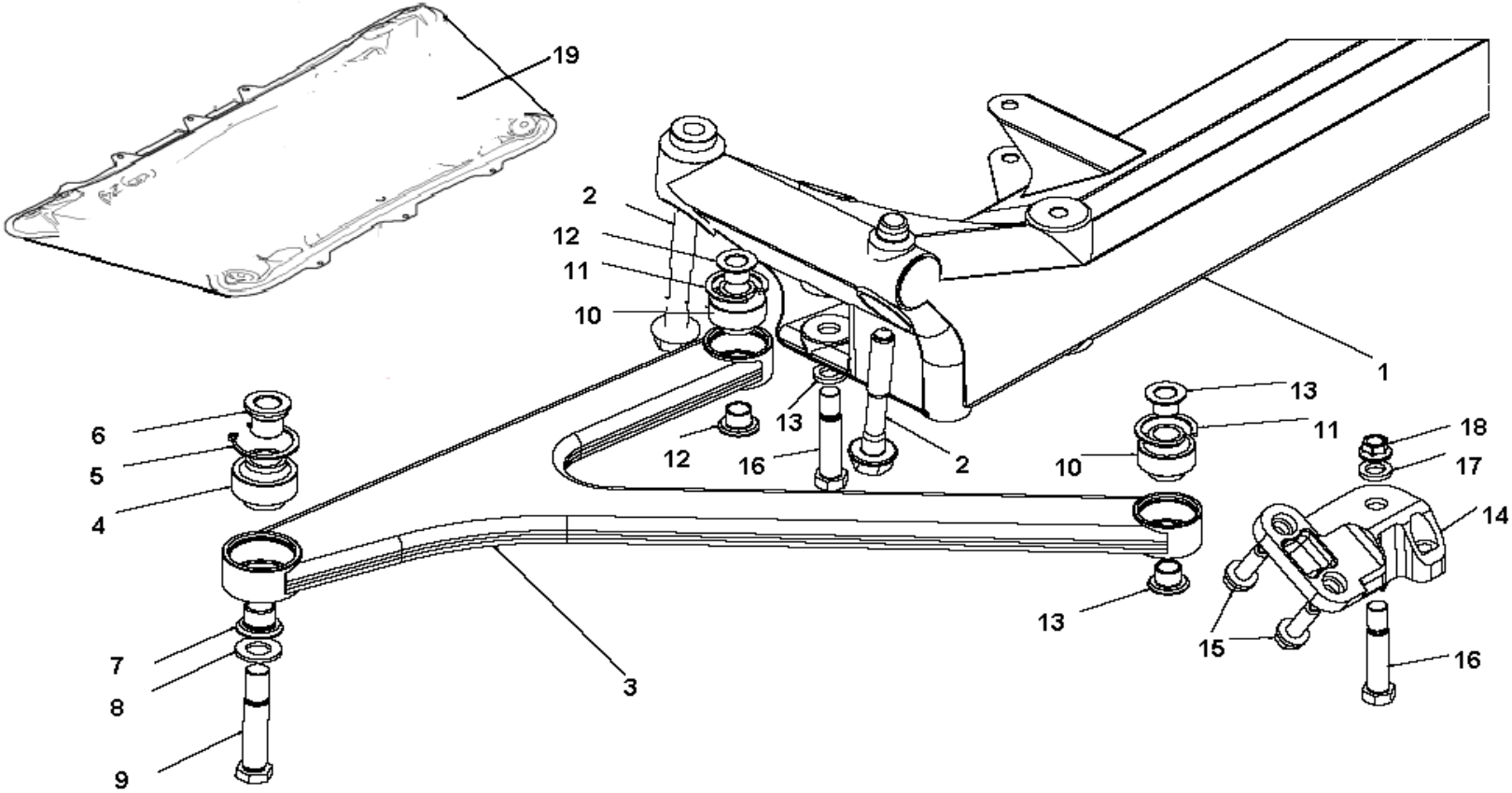
Montageinfo

Mounting information

Bei Aus-/ Einbau der Kardanwelle darauf achten, dass beide Hälften gleichzeitig und parallel geführt werden. Bei Abknicken besteht Gefahr der Beschädigung des Mittellagers!

When disassembling/mounting the prop. shaft take care that both halves are taken synchronous and parallel. Bending might cause a damage to the center bearing!

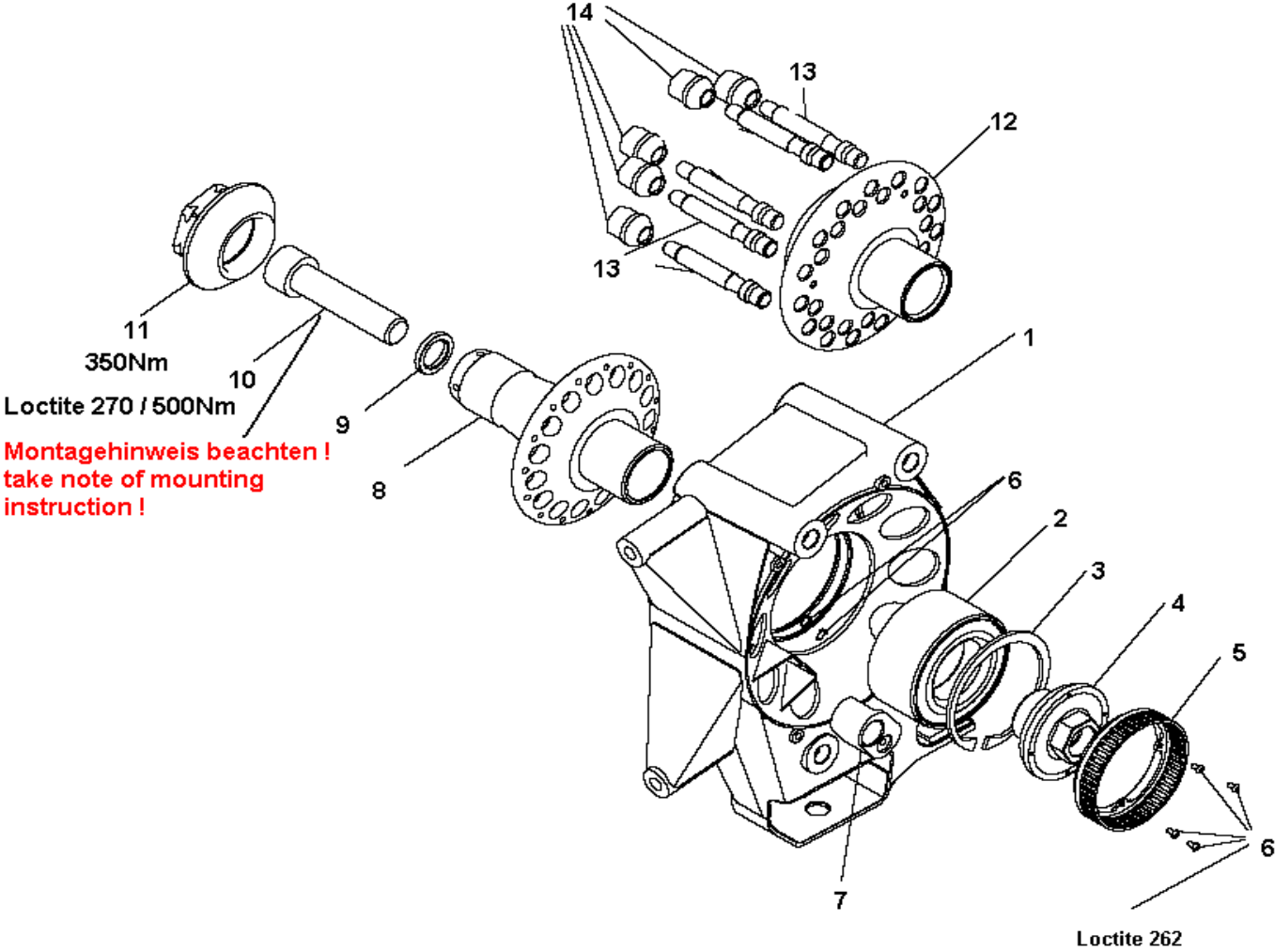
| Befestigung an Getriebe | | | | Mounting to gearbox | | | |
|--------------------------------|---------|---|-----------------------------|--------------------------------|-------------|--|---|
| 1100 | 7755132 | * | ZYLINDERSCHRAUBE | Screw | M10x30 12.9 | | 4 |
| 1100 | 1313177 | | SECHSKANTMUTTER | Hex nut | M10 Kay | | 4 |
| 0711 | 9904607 | * | SCHEIBE | Washer | A10-200 HV | | 4 |
| Befestigung an HA | | | | Mounting to final drive | | | |
| 2611 | 7571956 | * | TORXSCHRAUBE | Torx screw | M10x23-10 | | 4 |
| 1100 | 1313177 | | SECHSKANTMUTTER | Hex nut | M10 Kay | | 4 |
| 0711 | 9904607 | * | SCHEIBE | Washer | A10-200 HV | | 4 |
| Befestigung Mittellager | | | | Mounting center bearing | | | |
| 1100 | 2190417 | | SECHSKANTMUTTER MIT SCHEIBE | Nut | M6 | | 2 |



Vorderachsträger und Querlenker / front X-member and wishbone

Vers 10_2007

| Pos | HGUG | Teilenr. Part no. | * | Bezeichnung | Description | Info | Dispo | Menge |
|-----|------|----------------------|---|-------------------------------|----------------|--------------|-------|-------|
| 1 | 3110 | 7768643 | | VORDERACHSTRÄGER | FRONT X-MEMBER | VLN | | 1 |
| 2 | 3110 | 6766218 | * | TORXSCHRAUBE MIT BUND | TORX SCREW | M12x1,5x100 | | 4 |
| 3 | 3110 | 8304845 | | QUERLENKER LINKS | Wishbone | | | 1 |
| 3 | 3110 | 8304846 | | QUERLENKER RECHTS | Wishbone | | | 1 |
| 4 | 3221 | 7769019 | | GELENK | Joint | ABYTE 12 | | 2 |
| 5 | 3110 | 7768651 | | SEEGERRING | Seegerring | JV40 | | 2 |
| 6 | 3110 | 7768930 | | DISTANZBUCHSE | Bush | | | 2 |
| 7 | 3110 | 7768823 | | DISTANZBUCHSE | Bush | | | 2 |
| 8 | 3110 | 7768934 | | PASSSCHEIBE | Adjst.washer | 15-200HV | | 2 |
| 9 | 3121 | 7768913 | | PASSSCHRAUBE | Bolt | M14x1,5x75 1 | | 2 |
| 10 | 3112 | 2483481 | | GELENK | Joint | ABYTE10 | | 4 |
| 11 | 3110 | 7768850 | | SICHERUNGSRING | Lock Ring | JV36 | | 4 |
| 12 | 3112 | 7768713 | | DISTANZBUCHSE | Bush | | | 4 |
| 12 | 3110 | 8304624 | | BUCHSE | Bush | 1,4mm | nB | 4 |
| 12 | 3110 | 8304625 | | BUCHSE | Bush | 0,7mm | nB | 4 |
| 13 | 3112 | 7768713 | | DISTANZBUCHSE | Bush | | | 4 |
| 14 | 3110 | 7768663 | | HALTER LINKS | Support | | | 1 |
| 14 | 3110 | 7768664 | | HALTER RECHTS | Support | | | 1 |
| 15 | 3310 | 6760652 | * | SECHSKANTSCHRAUBE MIT SCHEIBE | Bolt | M10X35 10:9 | | 4 |
| 16 | 3112 | 7768716 | | PASSSCHRAUBE | Bolt | M12x1,5x65 1 | | 4 |
| 17 | 0711 | 9901766 | * | BEILAGSCHEIBE | Washer | A13 / HV-ZNS | | 4 |
| 18 | 3333 | 2270119 | | SECHSKANTMUTTER | Hex nut | M12x1,5 Kay | | 2 |
| 19 | 5175 | 7768802 | | VERSTEIFUNGSPLATTE | Reinforcement | | | 1 |



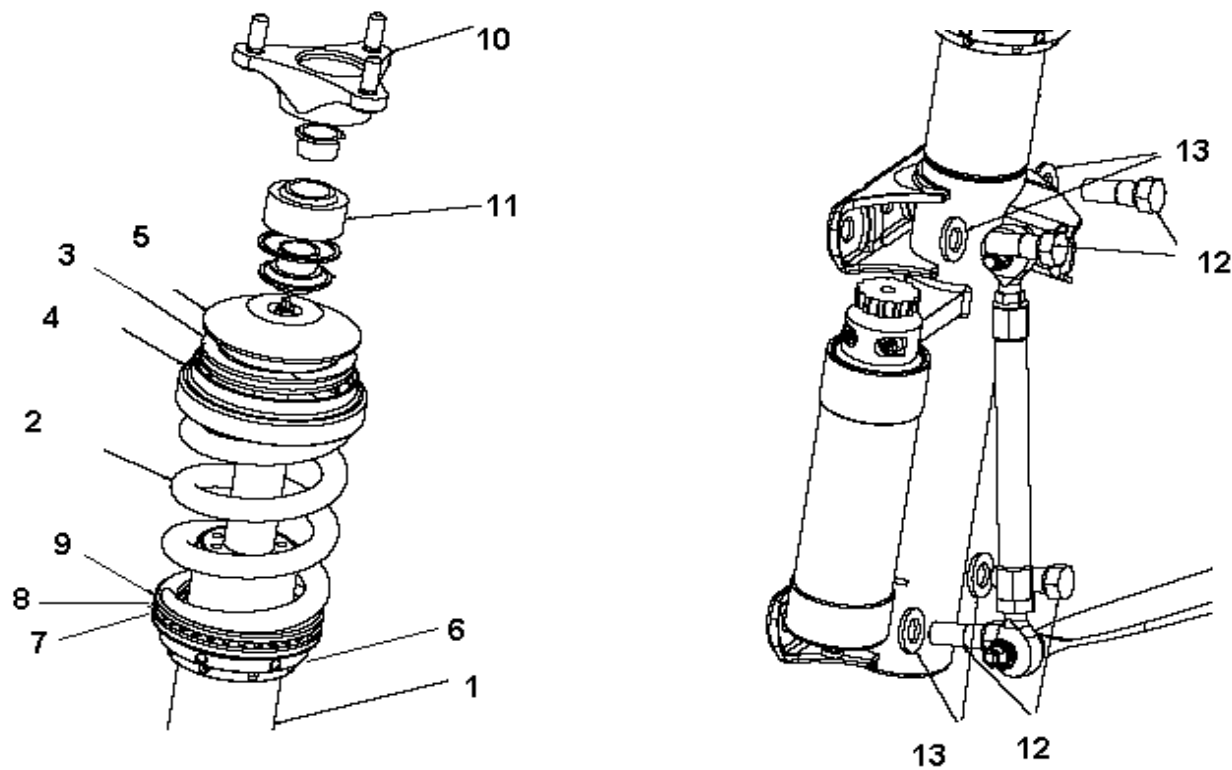
Radträger und Radbefestigung / wheel carrier and mounting

Vers 11_2007

| Pos | HGUG | Teilenr. Part no. | * | Bezeichnung | Description | Info | Dispo | Menge |
|-----|------|----------------------|---|----------------------------|----------------------------|--------------|-------|-------|
| 1 | 3121 | 7768895 | | RADTRÄGER LINKS | WheelCarrier | | | 1 |
| 1 | 3121 | 7768896 | | RADTRÄGER RECHTS | WheelCarrier | | | 1 |
| 2 | 3341 | 8310640 | | SCHRÄGKUGELLAGER | Roller bearing | 45x85,05x41 | | 2 |
| 3 | 0711 | 9934755 | * | SICHERUNGSRING | Lock ring | 85x3 | | 2 |
| 4 | 3120 | 8304677 | | MITNEHMERFLANSCH | Flange | | | 2 |
| 5 | 3110 | 8304634 | | IMPULSRAD | Pulse wheel | | | 2 |
| 6 | 0711 | 9907600 | * | LINSENSCHARUBE | Lens screw | M3x6 | | 6 |
| 7 | 3450 | 7768799 | | SENSORHALTER | Sensorhalter | li | | 1 |
| 7 | 3450 | 7768800 | | SENSORHALTER | Sensorhalter | re | | 1 |
| 8 | 3120 | 7768793 | | RADNABE | Wheel hub | VLN li | | 1 |
| 8 | 3120 | 7768794 | | RADNABE | Wheel hub | VLN re | | 1 |
| 9 | 3310 | 7768906 | | UNTERLEGSCHNEIBE | Washer | 30x21x4 | | 2 |
| 10 | 3340 | 7768606 | | INNENSECHSKANTSCHRAUBE | Bolt | M20x85 12.9 | | 2 |
| 11 | 3613 | 7767489 | | RADMUTTER | WHEEL NUT | M42x2 re-Gew | | 1 |
| 11 | 3613 | 7767490 | | RADMUTTER | WHEEL NUT | M42x2 li/lh | | 1 |
| | | | | Radmuttern in Stahl | Wheel nuts in steel | | | |
| 11 | 3613 | 7767195 | | RADMUTTER | WHEEL NUT | M42x2 re-Gew | nB | |
| 11 | 3613 | 7767196 | | RADMUTTER | WHEEL NUT | M42x2 li-Gew | nB | |
| | 3600 | 8304636 | | SICHERUNGSFEDER | Retainer spring | | | 2 |
| | 3610 | 8304828 | | NUSS FÜR RADMUTTER | Nut for wheel nut | SW54 | nB | |
| | | | | 5-Loch-Montage | 5 bolt fastening | | | |
| 12 | 3120 | 8304999 | | RADNABE | Wheel hub | 5-bolt-syste | nB | 2 |
| | | 8310603 | | AUSGLEICHRING | Adaptor ring | | nB | 2 |
| 13 | 3611 | 7769131 | | RADBOLZEN | Wheel bolt | 63mm | nB | 10 |
| 14 | 3611 | 1106017 | * | RADMUTTER | WHEEL NUT | | nB/ww | 10 |
| 14 | 3611 | 7769132 | | RADMUTTER | WHEEL NUT | Alu SW19 | nB/ww | 10 |

r

r



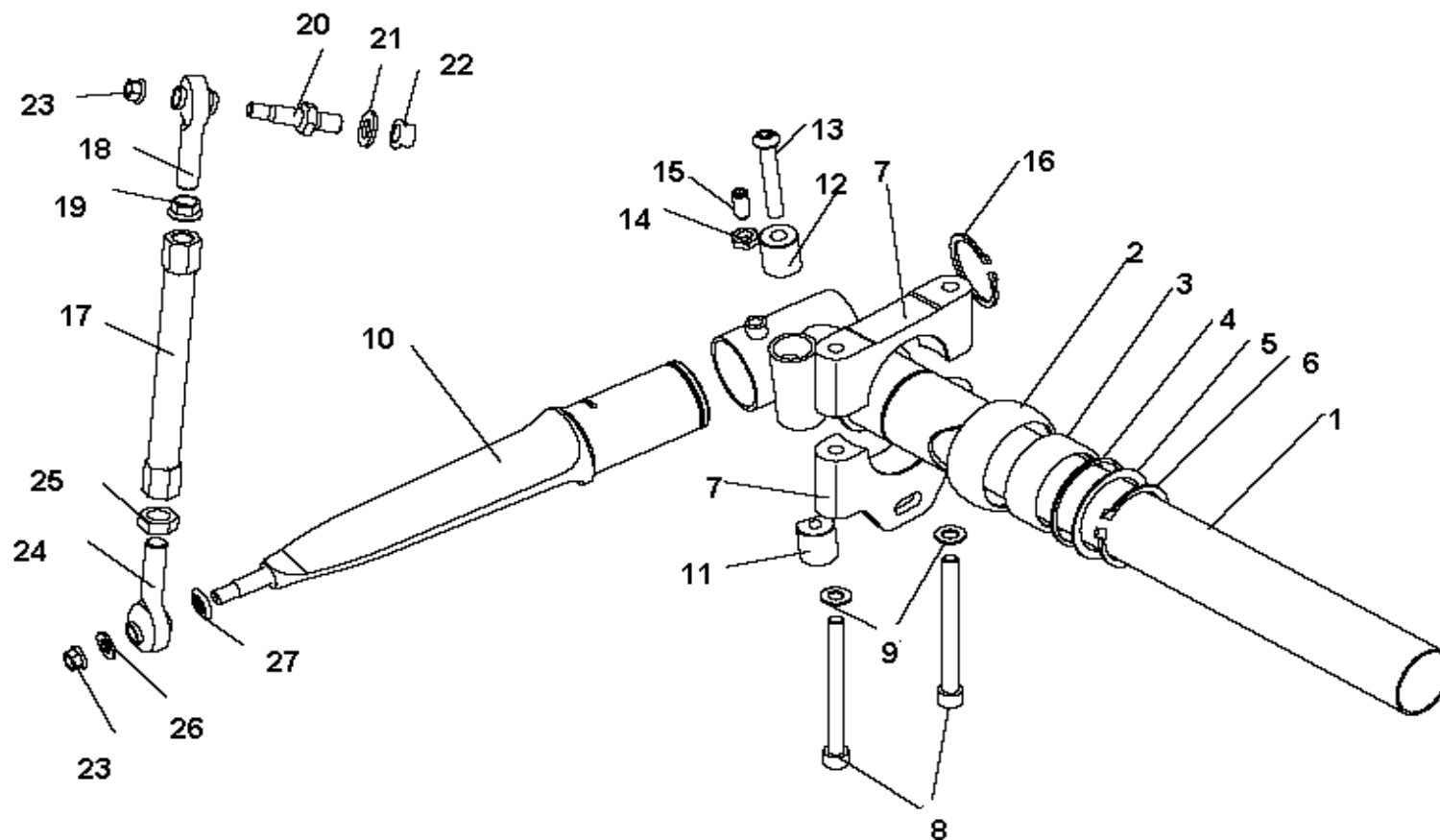
Stossdämpfer und Stützlager / shock absorber and top mount

Vers 7_2007

| Pos | HGUG | Teilenr. Part no. | * | Bezeichnung | Description | Info | Dispo | Menge |
|-----|------|----------------------|---|-----------------------|-----------------------|--------------|-------|-------|
| 1 | 3130 | 7768809 | | FEDERBEIN LINKS | Spring strut | SPS4 | | 1 |
| 1 | 3130 | 7768810 | | FEDERBEIN RECHTS | Spring strut | SPS4 | | 1 |
| 2 | | | | AWT Hauptfeder | CT Main spring | | ww | 2 |
| 2 | 3133 | 7766683 | | SCHRAUBENFEDER | Coil spring | 140-60-160 | | |
| 2 | 3133 | 7766684 | | SCHRAUBENFEDER | Coil spring | 140-60-180 | | |
| 2 | 3133 | 7766685 | | SCHRAUBENFEDER | Coil spring | 140-60-200 | | 2 |
| 2 | 3133 | 7766686 | | SCHRAUBENFEDER | Coil spring | 140-60-220 | | |
| 2 | 3133 | 7766687 | | SCHRAUBENFEDER | Coil spring | 140-60-240 | | |
| 3 | 3133 | 2500011 | | SCHRAUBENFEDER | Coil spring | 60-60-2 Help | | |
| 4 | 3110 | 8304855 | | FÜHRUNG | Guide | >Feder 200 | | 2 |
| 4 | 3133 | 2500002 | | FÜHRUNG | Guide | <Feder 200 | nB | 2 |
| 5 | 3131 | 7749727 | | FEDERTELLER | SPRING CUP | | | 2 |
| 6 | 3130 | 8282367 | | FEDERTELLER UNTEN | SPRING CUP | | | 2 |
| 7 | 3133 | 2500226 | | SCHEIBE | Washer | AS6085 | | 2 |
| 8 | 3133 | 2500225 | | NADELLAGER | NEEDLE BRG. | AXK6085 | | 2 |
| 9 | 3130 | 2500242 | | SCHEIBE | Washer | LS6085 | | 2 |
| 10 | 3130 | 8283109 | | STÜTZLAGER | Guide supp. | | | 2 |
| 11 | 3131 | 7750877 | | KUGELGELENK | Ball joint | SCD 20IH | nB | 2 |
| 12 | 3121 | 7768894 | | PASSSCHRAUBE | Bolt | M12x1,5x32 1 | | 4 |
| 13 | 0711 | 9904119 | * | SCHEIBE | Washer | 12-300 HV | | 4 |

Stabilisator / anti-rollbar

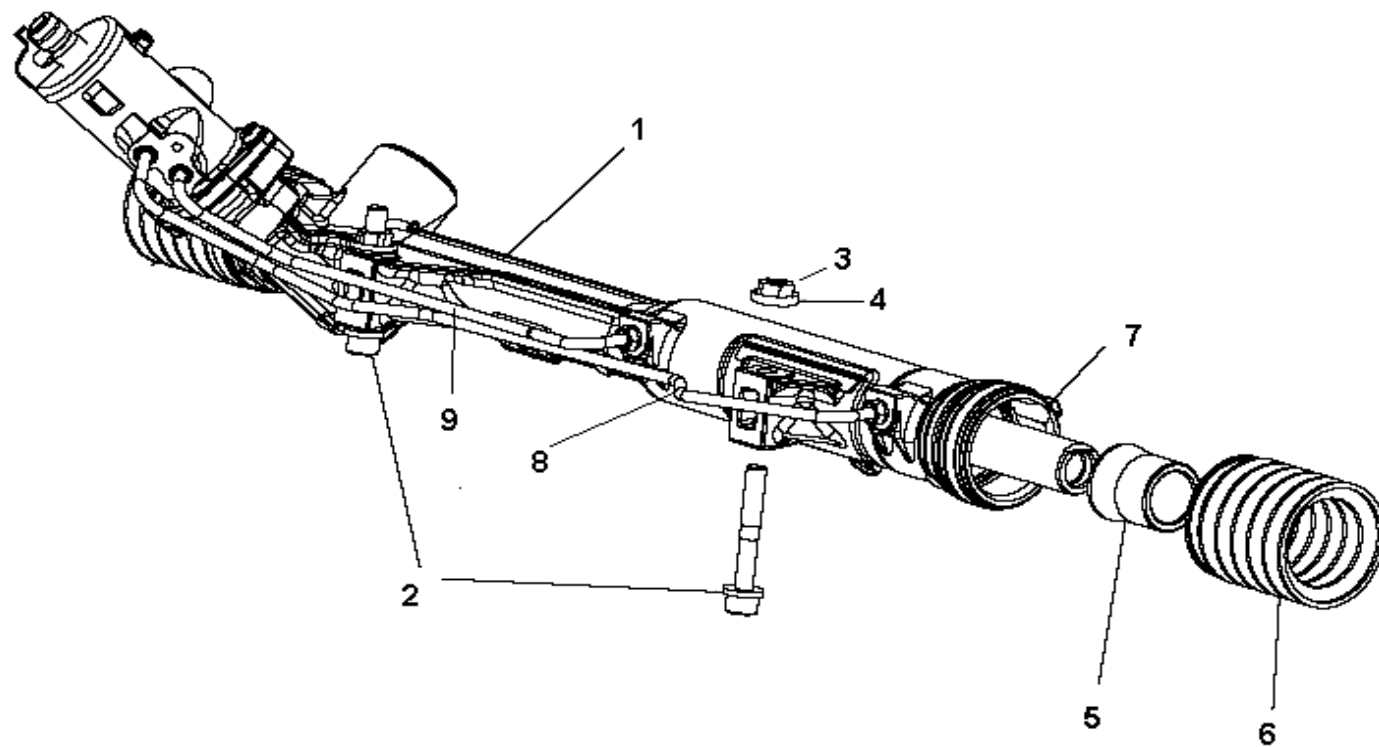
Vers 7_2007



Stabilisator / anti-rollbar

Vers 7_2007

| Pos | HGUG | Teilenr. Part no. | * | Bezeichnung | Description | Info | Dispo | Menge |
|-----|------|----------------------|---|-------------------------------|--------------|-------------|-------|-------|
| 1 | 3130 | 7768977 | | STABILISATOR | Stabilizer | 30x1,5 | nB | |
| 1 | 3130 | 7768752 | | STABILISATOR | Stabilizer | 35x1,5 | | 1 |
| 1 | 3130 | 7768747 | | STABILISATOR | Stabilizer | 40x1,5 | nB | |
| 2 | | | | KUGELKALOTTE | | | nB | 2 |
| 3 | 3135 | 8282031 | | NADELHÜLSE | NEEDL SLEEVE | HK 4520.2RS | | 2 |
| 4 | 3135 | 8282034 | | SPRENGRING | SNAP RING | SB52-A501-S | | 2 |
| 5 | 3135 | 8282088 | | PASSSCHEIBE | Adjst.washer | 45x55x1 | | 2 |
| 6 | 3332 | 2484017 | | SICHERUNGSRING | Lock Ring | 45x1,75 | | 2 |
| 7 | 3130 | 8304858 | | LAGERBOCK STABILISATOR | Support | | | 2 |
| 8 | 0711 | 9904106 | * | ZYLINDERSCHRAUBE | Screw | M8X90 10.9 | | 4 |
| 9 | 0711 | 9900052 | * | BEILAGSCHEIBE | Washer | A8,4 | | 4 |
| 10 | 3130 | 8278006 | | STABILISATORSCHWERT | Antiroll bar | light | | 2 |
| 11 | 3130 | 8278008 | | KLEMMSTÜCK | CLAMP PIECE | M10 | | 2 |
| 12 | 3130 | 8278007 | | KLEMMSTÜCK | CLAMP PIECE | | | 2 |
| 13 | 3521 | 7654249 | * | LINSENSCHRAUBE | Lens screw | M8x55 | | 2 |
| 14 | 0711 | 9904254 | * | BEILAGSCHEIBE | Washer | A4,3 | | 2 |
| 15 | 0711 | 7750741 | | DRUCKSTÜCK | Thrust | | | 2 |
| 16 | 0711 | 9934235 | * | SICHERUNGSRING | Lock Ring | 40x1,75 | | 2 |
| 17 | 3135 | 7766680 | | PENDELSTÜTZE | Stabil. link | l=161,5mm | | 2 |
| 18 | 3332 | 2271225 | | GELENKKOPF | Sleeve end | ARYTL6 ECR | | 2 |
| 19 | 3130 | 8282506 | | MUTTER | Nut | Kay 7/16-20 | | 2 |
| 20 | 3130 | 7768774 | | ZAPFEN | Pin | | | 2 |
| 21 | 0711 | 9904198 | * | SCHEIBE | Washer | 10-200 HV | | 2 |
| 22 | 1100 | 1313177 | | SECHSKANTMUTTER | Hex nut | M10 Kay | | 2 |
| 23 | 1100 | 1313172 | | SECHSKANTMUTTER SELBSTSICHERI | Nut | M8 Kay | | 4 |
| 24 | 3350 | 2223335 | | GELENKKOPF | Sleeve end | ARYT6 ECR | | 2 |
| 25 | 3353 | 2223021 | | MUTTER | Nut | 7/16"-20unf | | 2 |
| 26 | 0711 | 9903078 | * | SCHEIBE | Washer | 8-200 HV | | 2 |
| 27 | 3135 | 7766682 | | STÜTZSCHEIBE | Support | | | 2 |



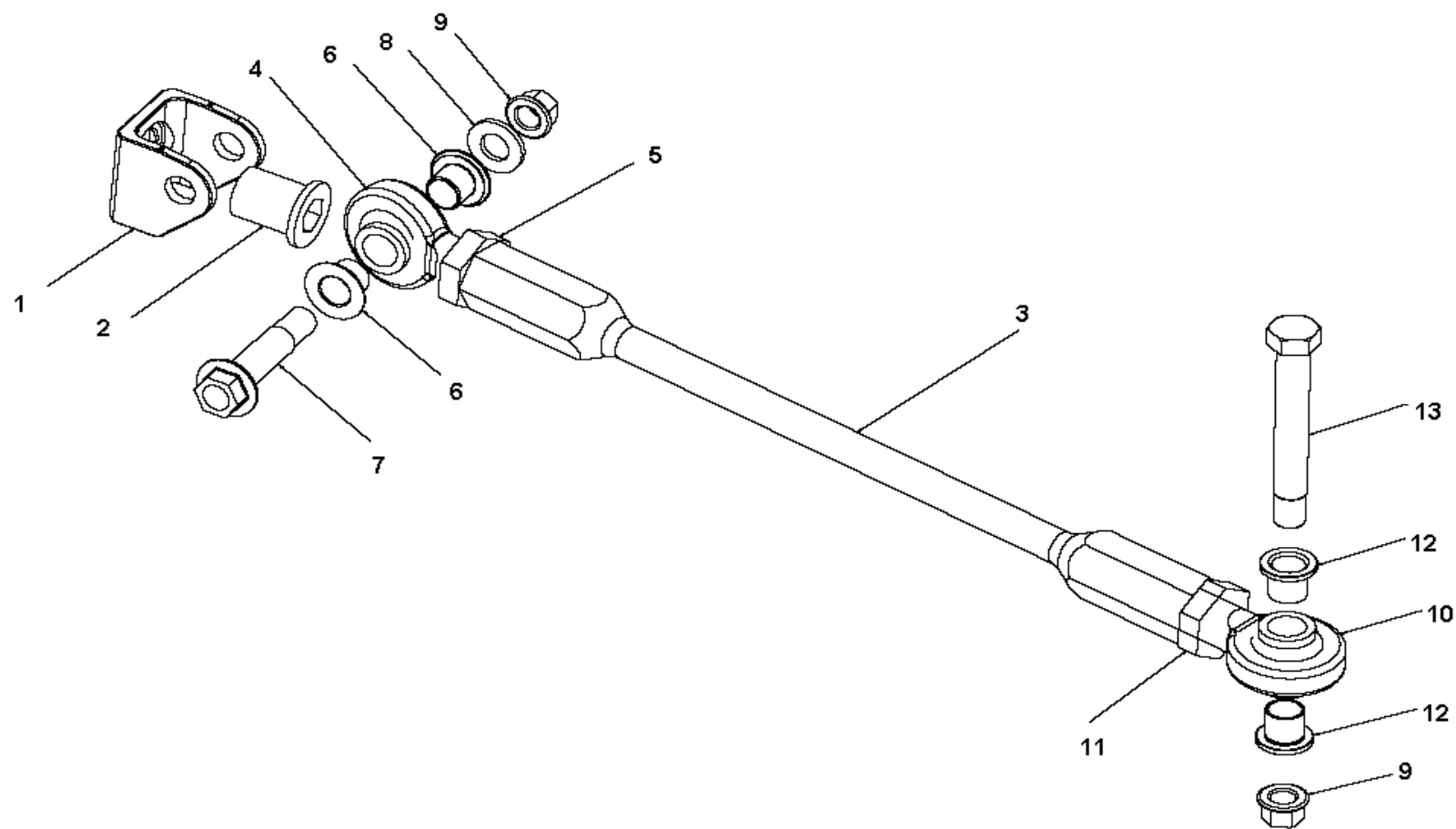
Lenkgetriebe / steering rack

Vers 7_2007

| Pos | HGUG | Teilenr. Part no. | * | Bezeichnung | Description | Info | Dispo | Menge |
|-----|------|----------------------|---|-------------------------|----------------------------|--------------|-------|-------|
| 1 | 3210 | 8304850 | | LENKGETRIEBE | Steering Box | i = 46,5 | | 1 |
| 1 | 3210 | 8281890 | | LENKGETRIEBE | Steering Box | i = 50,0 | nB | 1 |
| 2 | 0711 | 9919679 | * | ZYLINDERSCHRAUBE | Cylinder screw | M10x60 | | 2 |
| 3 | 1100 | 1313177 | | SECHSKANTMUTTER | Hex nut | M10 Kay | | 2 |
| 4 | 3111 | 1114348 | * | BEILAGSCHEIBE | Washer | A10,5x22 | | 2 |
| 5 | 3210 | 8304825 | | ANSCHLAGBUCHSE | Bush | | | 2 |
| 6 | 3213 | 1096909 | | FALTENBALG | Rubber boot | | | 2 |
| 7 | 0712 | 2200784 | | KABELBINDER | Cable tie | 4,8X360 | | 2 |
| | | | | gegen Schwingungsbrüche | against vibration cracking | | | |
| | 3210 | 6776664 | * | DÄMPFUNGSCLIP | Anti-vibration clamp | | | 4 |
| | | | | für Service alle 3000km | for service after 3000km | | | |
| 8 | 3210 | 8282854 | | HYDRAULIKLEITUNG | Pipe | lang / long | nB | 1 |
| 9 | 3210 | 8282857 | | HYDRAULIKLEITUNG | Pipe | kurz / short | nB | 1 |

Spurstange / tie rod

Vers 7_2007



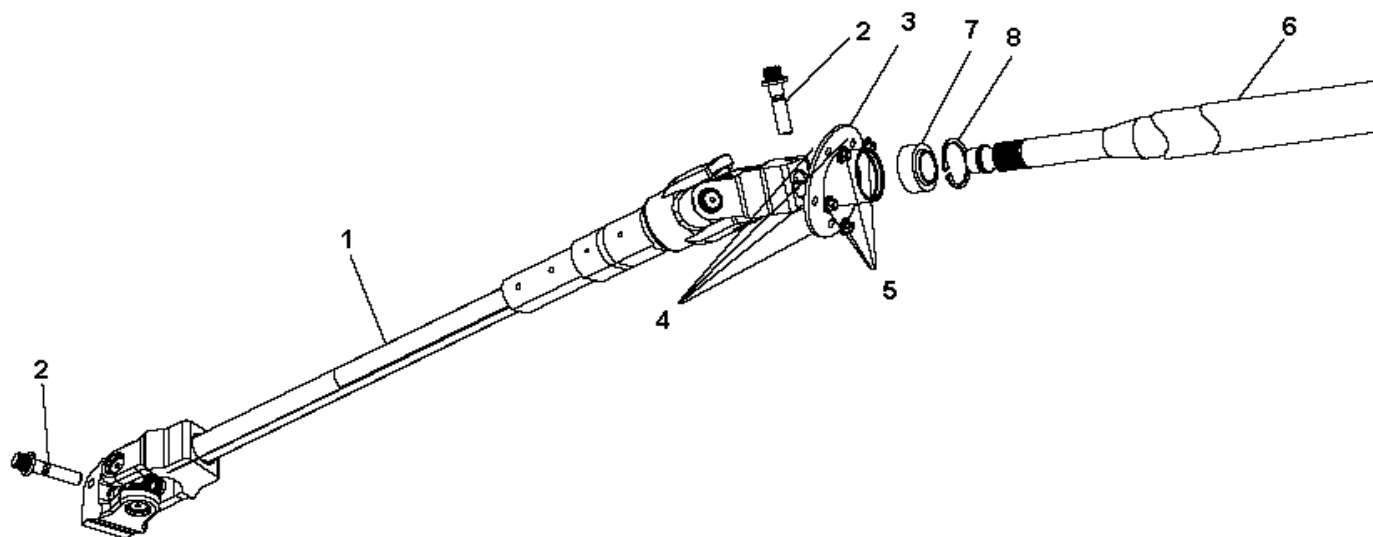
Spurstange / tie rod

Vers 7_2007

| Pos | HGUG | Teilenr. Part no. | * | Bezeichnung | Description | Info | Dispo | Menge |
|-----|------|----------------------|---|-----------------|-------------|--------------|-------|-------|
| 1 | 3220 | 8304610 | | GABELSTÜCK | FORK PIECE | +5mm | | 2 |
| 2 | 3221 | 8278701 | | SCHRAUBE | Bolt | | | 2 |
| 3 | 3220 | 7768833 | | SPURSTANGE | Tie rod | | | 2 |
| 4 | 3220 | 7768848 | | GELENKKOPF | Sleeve end | ARYTL 8E | | 2 |
| 5 | 3330 | 8282274 | | MUTTER | Nut | 5/8-18UNF li | | 2 |
| 6 | 3220 | 7768927 | | DISTANZBUCHSE | Bush | | | 4 |
| 7 | 3220 | 7768926 | | PASSSCHRAUBE | Bolt | M10x1,25x40 | | 2 |
| 8 | 0711 | 9904198 | * | SCHEIBE | Washer | 10-200 HV | | 2 |
| 9 | 1100 | 2194330 | | SECHSKANTMUTTER | Hex nut | M10x1,25 Kay | | 4 |
| 10 | 3221 | 7769021 | | GELENKKOPF | Sleeve end | ARYT 8E | | 2 |
| 11 | 3330 | 8282273 | | MUTTER | Nut | 5/8-18 UNF | | 2 |
| 12 | 3220 | 8304823 | | DISTANZHÜLSE | Spacer | | | 4 |
| 13 | 3121 | 7768920 | | PASSSCHRAUBE | Bolt | M10x1,25x80 | | 2 |

Lenksäule / steering column

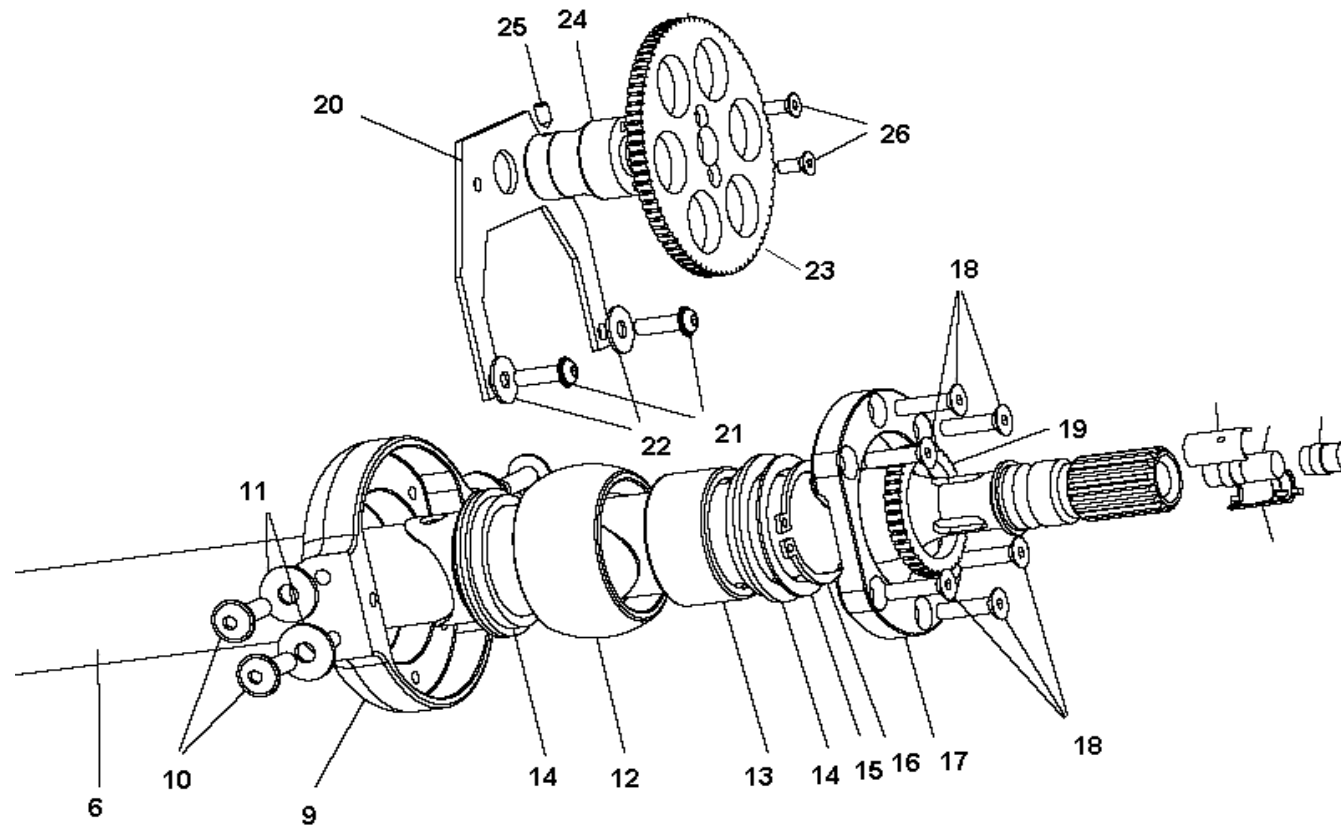
Vers 03_2008



Lenksäule / steering column

Vers 03_2008

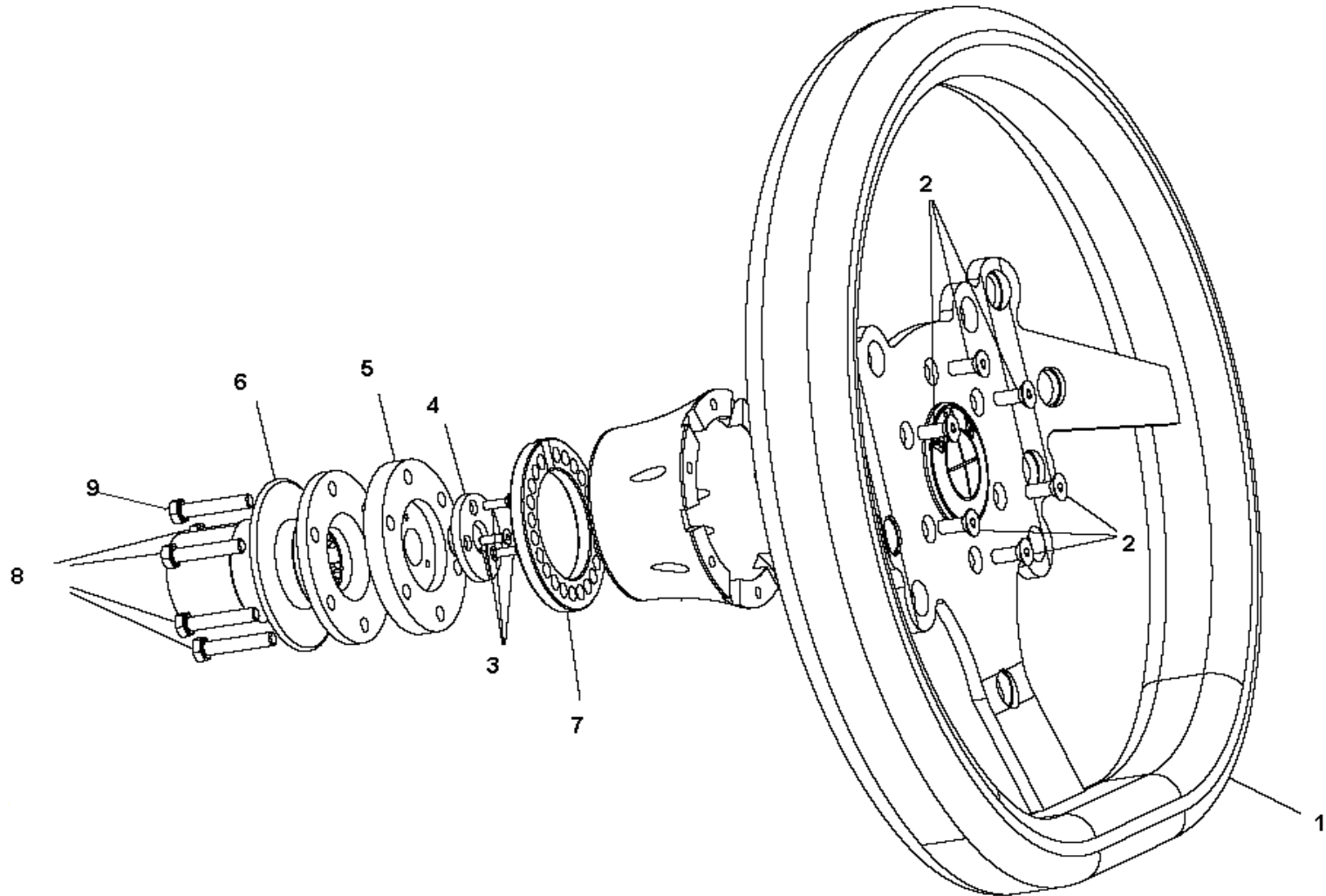
| Pos | HGUG | Teilenr. Part no. | * | Bezeichnung | Description | Info | Dispo | Menge |
|-----|------|----------------------|---|-----------------------------|--------------|--------------|-------|-------|
| 1 | 3230 | 7768679 | | ZWISCHENWELLE | Shaft | | | 1 |
| 2 | 3230 | 6778609 | * | TORXSCHRAUBE | Torx bolt | M8x33 | | 2 |
| 3 | 3230 | 7768781 | | LAGERUNG | Mounting | | | 1 |
| 4 | 1710 | 7769457 | | LINSENSCHRAUBE | Fillister | M5x12 10.9 | | 5 |
| 5 | 1100 | 2190416 | | SECHSKANTMUTTER MIT SCHEIBE | Nut | M5 Kay | | 5 |
| 6 | 3230 | 7768928 | | LENKSÄULE | Steering clm | VLN | | 1 |
| 7 | 3230 | 8281929 | | LAGER | Bearing | IGUBAL EGLM- | | 1 |
| 8 | 0711 | 9934645 | * | SICHERUNGSRING | Lock ring | 30x1,2 | | 1 |



Lenksäule / steering column

Vers 03_2008

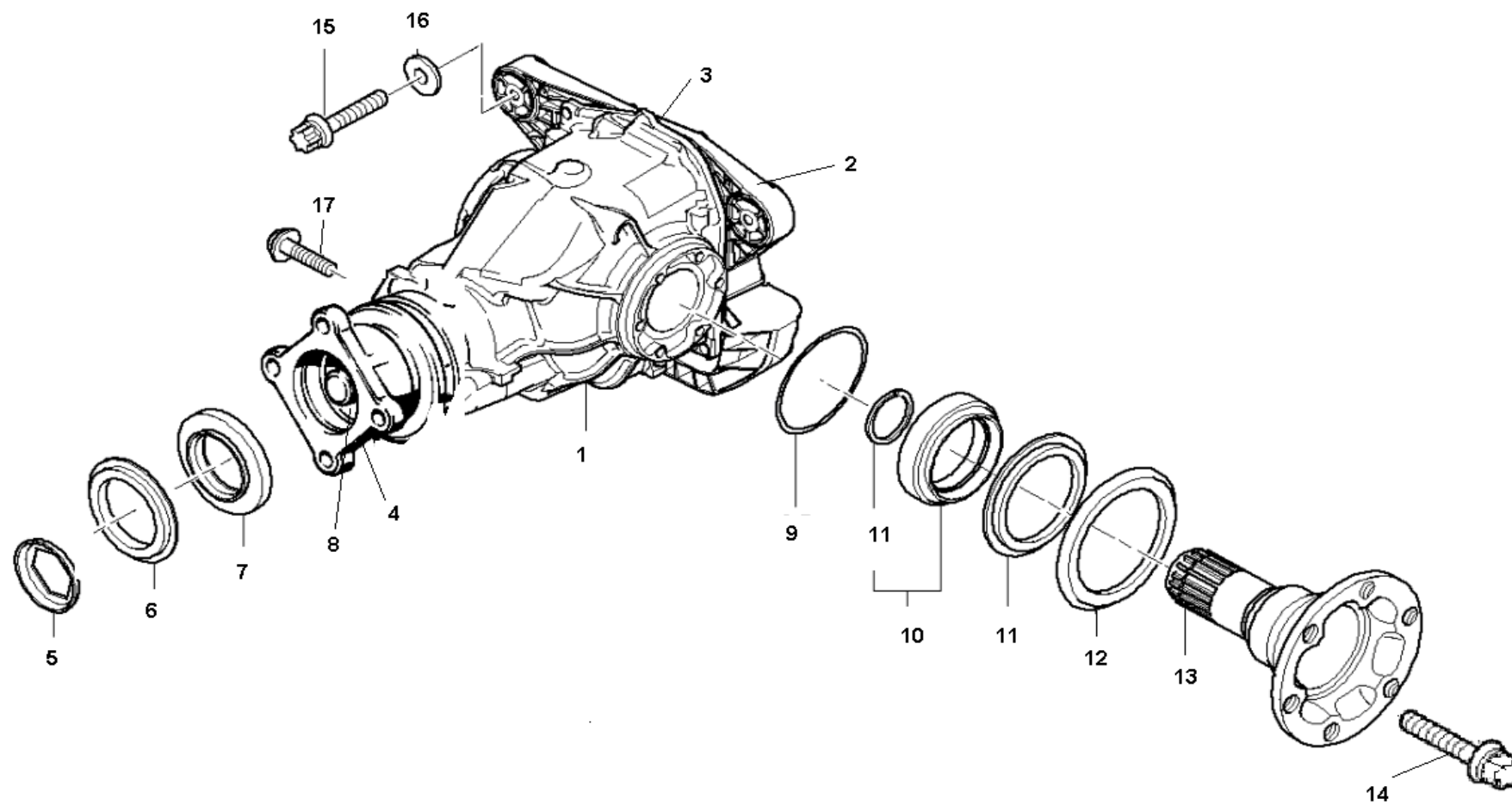
| Pos | HGUG | Teilenr. Part no. | * | Bezeichnung | Description | Info | Dispo | Menge |
|-----|------|----------------------|---|-------------------------------------|--|---------------|-------|-------|
| 9 | 3230 | 8282165 | | LAGER | Bearing | oben | | 1 |
| 10 | 3230 | 7750500 | | LINSENSCHRAUBE | Fillister | m.Fl.M6X20 1 | | 4 |
| 11 | 0711 | 9936425 | * | BEILAGSCHEIBE | Washer | 6.4 | | 4 |
| 12 | 3230 | 8283137 | | KUGELSCHALE | BALL CUP | | | 1 |
| 13 | 3230 | 8282766 | | NADELHÜLSE | NEEDL SLEEVE | INA HK3520.2 | | 1 |
| 14 | 3230 | 8283141 | | AUSGLEICHSBUCHSE | Comp. bush | | | 2 |
| 15 | 3230 | 7769908 | | PASSSCHEIBE | Adjst.washer | 35x45x1,0 | | 1 |
| 16 | 3332 | 2484015 | | SICHERUNGSRING | Lock ring | 35x1,5 DIN471 | | 1 |
| 17 | 3230 | 8281928 | | SPANNRING | Retainer | | | 1 |
| 18 | 3231 | 2483163 | | SENKSCHRAUBE | Bolt | M5x20 10.9 P | | 6 |
| 19 | 3230 | 8282793 | | ZAHNSCHEIBE | Washer | | | 1 |
| 20 | 3230 | 8282795 | | HALTER LENKWINKELSENSOR | Holder | | | 1 |
| 21 | 1100 | 7742150 | | LINSENSCHRAUBE | Fillister | M5x10 10.9 | | 2 |
| 22 | 0711 | 9936416 | * | BEILAGSCHEIBE | Washer | 5.3 | | 2 |
| 23 | 3230 | 8282792 | | ZAHNSCHEIBE | Washer | | | 1 |
| 24 | 3230 | 8282794 | | ADAPTER LENKWINKELSENSOR | Adapter | | | 1 |
| 25 | 0711 | 9905252 | * | GEWINDESTIFT | Set screw | M4x8-45H | | 1 |
| 26 | 0711 | 9900722 | | SENKSCHRAUBE | Screw | M4x10 | | 2 |
| | | | | Befestigung Lenkwinkelsensor | mounting of steering angle sensor | | | |
| | 2152 | 7742156 | | LINSENSCHRAUBE | Fillister | M4x10 10.9 | | |
| | 0711 | 9936411 | * | BEILAGSCHEIBE | Washer | 4.3 | | |
| | 1100 | 2193988 | | SECHSKANTMUTTER MIT SCHEIBE | Nut | M4 Kay | | |



Lenkrad / steering wheel

Vers 7_2007

| Pos | HGUG | Teilenr. Part no. | * | Bezeichnung | Description | Info | Dispo | Menge |
|-----|------|----------------------|---|--------------------------------------|--|------------|-------|-------|
| 1 | 3230 | 8298241 | | LENKRAD | Steering wheel | Z4 | | 1 |
| | | | | im LU Lenkrad enthalten | included in delivery extent steer. wheel | | | |
| 2 | 3230 | 7750524 | | SENKSCHRAUBE | Bolt | M5x12 10.9 | nB | 6 |
| 3 | 3540 | 2501417 | | SENKSCHRAUBE | Bolt | ISK M3x8 | nB | 3 |
| 4 | 3235 | 7777788 | | SCHEIBE | Washer | EQR | nB | |
| 5 | 3230 | 8282838 | | VERBINDUNGSSTÜCK | Connector | | nB | |
| 6 | 3230 | 8282839 | | SCHNELLVERSCHLUSS | Fastener | 5xM5/1xM6 | nB | |
| 6 | 3230 | 8282511 | | SCHNELLVERSCHLUSS | Fastener | gelb rund | nB | |
| 7 | 3230 | 8282841 | | DISTANZSTÜCK | Spacer | 5 mm | ww | |
| 7 | 3230 | 8282842 | | DISTANZSTÜCK | Spacer | 10 mm | ww | |
| | | | | in Abhängigkeit Verbau Spacer | depending of spacer | | | |
| 8 | 0711 | 9913251 | * | SECHSKANTSCHRAUBE | Screw | M5x20 | ww | 5 |
| 9 | 0711 | 9901787 | * | SECHSKANTSCHRAUBE | Screw | M6x20 | ww | 1 |
| 8 | 0711 | 9903383 | * | SECHSKANTSCHRAUBE | Screw | M5x25 | ww | 5 |
| 9 | 0711 | 9913589 | * | SECHSKANTSCHRAUBE | Screw | M6x25 | ww | 1 |
| 8 | 0711 | 9913925 | * | SECHSKANTSCHRAUBE | Screw | M5x30 | ww | 5 |
| 9 | 0711 | 9900308 | | SECHSKANTSCHRAUBE M. SCHEIBE | Screw | M6x30 Z1 | ww | 1 |
| 8 | 0711 | 9912196 | | SECHSKANTSCHRAUBE | Screw | M5x35 | ww | 5 |
| 9 | 0711 | 9904589 | * | SECHSKANTSCHRAUBE | Screw | M6x35 | ww | 1 |
| | 0711 | 9932048 | * | FEDERSCHEIBE | Washer | B5 | | 5 |
| | 0711 | 9932099 | * | FEDERSCHEIBE | Washer | B6 | | 1 |



HA-Getriebe und Abtriebswellen / final drive and drive shafts

Vers 10_2008

| Pos | HGUG | Teilenr. Part no. | * | Bezeichnung | Description | Info | Dispo | Menge |
|-----|------|----------------------|---|--|---|------------------|-------|-------|
| | 3310 | 7768740 | | HINTERACHSGETRIEBE (beinhaltet Pos. 1-12) | Final drive (includes item 1-12) | kpl. i=3,62 | | 1 |
| | 3310 | 8304840 | | HINTERACHSGETRIEBE O. SPERRE | Final drive withou lim. Slip | i=3,62 | nB | |
| 1 | 3310 | 7768923 | | GEHÄUSE | Housing | Z4 "215" | nB | |
| 2 | 3311 | 2282482 | * | GETRIEBEBEDECKEL | Cover | "210" | nB | |
| 3 | 3310 | 8305033 | | DICHTUNG ASBESTFREI | Gasket | Ref. 1211679 | nB | |
| | 3310 | 7768900 | | TELLERRADSATZ | Gear set | i=3,62 47:13 | nB | |
| | 3310 | 8311351 | | TELLERRADSATZ | Gear set | i=3,85 | nB | |
| | | tba | | TELLERRADSATZ | Gear set | i=3,91 | nB | |
| | 3310 | 7768563 | | SPERREINSATZ | Limited slip | "210" | nB | |
| | 3310 | 7768570 | | INNENLAMELLE | Inner lamella | for servicing | nB | |
| | 3310 | 7768571 | | AUSSENLAMELLE | Outer lamella | for servicing | nB | |
| | | | | Tellerrad an Sperre | C+P gear to lim. Slip | | | |
| | 3313 | 2227347 | * | SECHSKANTSCHRAUBE DEHNKOPF | Screw | M14x1,5x24 | nB | 10 |
| | | | | Serviceumfänge HAG Eingangsseite | Service parts final drive input side | | | |
| 4 | 3312 | 1207348 | * | ANTRIEBSFLANSCH | Drive flange | | nB | 21 |
| | | | | Flansch an Kegelrad | Flange to bevel gear | | | |
| 8 | 3310 | 7768738 | | BUNDMUTTER | Collar nut | M22x1,5 12.9 | nB | 1 |
| 5 | 3312 | 1205138 | * | SICHERUNGSBLECH | Lock plate | | nB | 1 |
| 7 | 3312 | 1213949 | * | WELLENDICHTRING | Shaft seal ring | 50x80x9 | nB | 1 |
| | 3312 | 8310636 | | KEGELROLLENLAGER | Roller Bearing | 44,45x88,9x30,16 | nB | 1 |
| | 3310 | 8304690 | | DISTANZBUCHSE | Bush | | nB | 1 |
| | 3312 | 8310637 | | KEGELROLLENLAGER | Roller Bearing | 36,5x76,2x29,37 | nB | 1 |
| | | | | AWT Distanzscheiben Ritzelkopf | CT Fit washer bevel head | | nB/ww | 1 |
| | 3310 | 8304679 | | SATZ DISTANZSCHEIBEN | SPACER RINGS | 3,475-3,655 | | |
| | 3310 | 8304680 | | SATZ DISTANZSCHEIBEN | SPACER RINGS | 3,665-3,735 | | |
| | 3310 | 8304681 | | SATZ DISTANZSCHEIBEN | SPACER RINGS | 3,745-3,825 | | |

HA-Getriebe und Abtriebswellen / final drive and drive shafts

Vers 10_2008

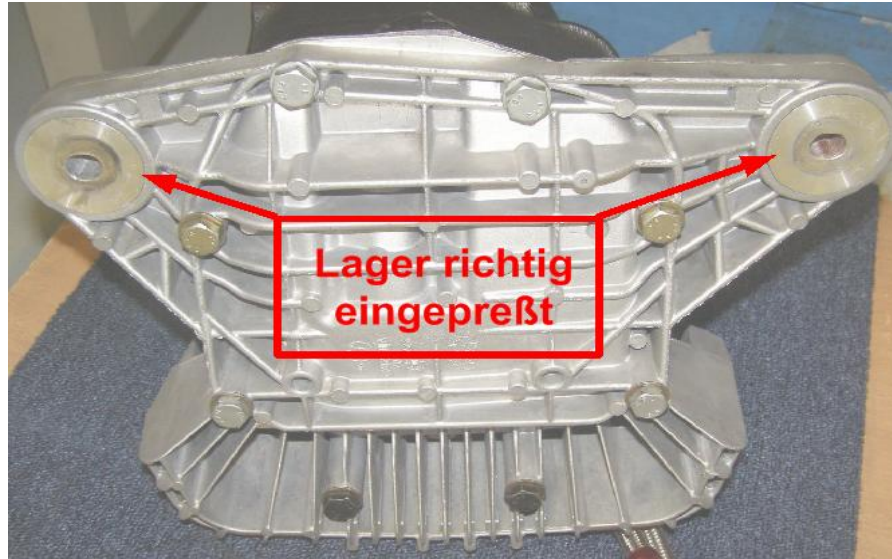
| | | Serviceumfänge HAG Abtriebseite | | Service parts final drive output side | | | | |
|----|------|--|-------------------------------------|--|-----------------|-------|--|---|
| | 3313 | 8321208 | KEGELROLLENLAGER | Roller Bearing | 50,0X82,0X21,5 | nB | | 2 |
| | | | AWT Distanzscheiben seitlich | CT Fit washer side bearings | | nB/ww | | 1 |
| | 3310 | 7768938 | SATZ DISTANZSCHEIBEN | SPACER RINGS | Set 1,35-1,6 | | | |
| | 3310 | 7768939 | SATZ DISTANZSCHEIBEN | SPACER RINGS | set 1,65-1,9 | | | |
| | 3310 | 7768940 | SATZ DISTANZSCHEIBEN | SPACER RINGS | | | | |
| 10 | 3310 | 7510289 | * WELLENDICHTRING | Shaft seal ring | 76x50x10 | nB | | 2 |
| 11 | 3313 | 1213713 | * STAUBSCHUTZTELLER | DUSTCOVER | | nB | | 2 |
| 12 | 3313 | 1214070 | * STAUBSCHUTZTELLER | DUSTCOVER | | nB | | 2 |
| 13 | 3310 | 8304669 | MITNEHMERFLANSCH ABTRIEB | Flange | | | | 2 |
| 14 | 0711 | 9904106 | * ZYLINDERSCHRAUBE | Cylinder screw | M8x90-10.9-ZNS3 | | | 2 |
| | 0711 | 9903078 | * SCHEIBE | Washer | | | | 2 |
| 15 | 3310 | 8310609 | BUCHSE | Bush | | | | 2 |
| 16 | 0711 | 9911664 | * SECHSKANTSCHRAUBE | Screw | M12x40 10.9 | | | 2 |
| 17 | 0711 | 9904119 | * SCHEIBE | Washer | 12-300 HV | | | 2 |
| | 3317 | 7768628 | HALTER | Bracket | | | | 1 |
| | 3310 | 8310610 | HALTER | Bracket | universal | nB | | 1 |
| | 0711 | 9901687 | * SECHSKANTSCHRAUBE | Screw | M8x25 Z1 10.9 | | | 4 |
| 18 | 3310 | 7768904 | SCHRAUBE | Bolt | M14 | | | 1 |

HA-Getriebe und Abtriebswellen / final drive and drive shafts

Vers 10_2008

Montagehinweis Buchsen 8310609

Mounting instructions bush 8310609



Aufgrund der Karosserieänderung am E86 Race zur Aufnahme Hinterachsgetriebedeckel müssen die Buchsen hinten (Tnr 8310609) in **entgegengesetzter Richtung** zum Serienlager eingepresst werden. Der Halt wird beim Einpressen durch das Einfressen ins Auge des Deckels erreicht ohne zusätzliche Erwärmung des Deckels bzw. abkühlen der Buchse.

Due to modification of the race bodyshell for the supports of the final drive cover, the rear bushes have to be positioned in **opposite direction** (compared to production bushes). The proper fixation is reached during pressing by the carving into the eye cover without further need of heating the cover or cooling the bushes.

Montagehinweis Halter 7768628

Mounting instructions bracket 7768628

Halter 7768628 lose an Getriebegehäuse (HAG) schrauben. HAG in Fahrzeug mit Schraube 9911664 (Anzugmoment 60Nm) montieren.

Schraube 7768904 mit Ringschlüssel festziehen. Position der Verschraubung Halter/HAG mit Sprühfarbe markieren.

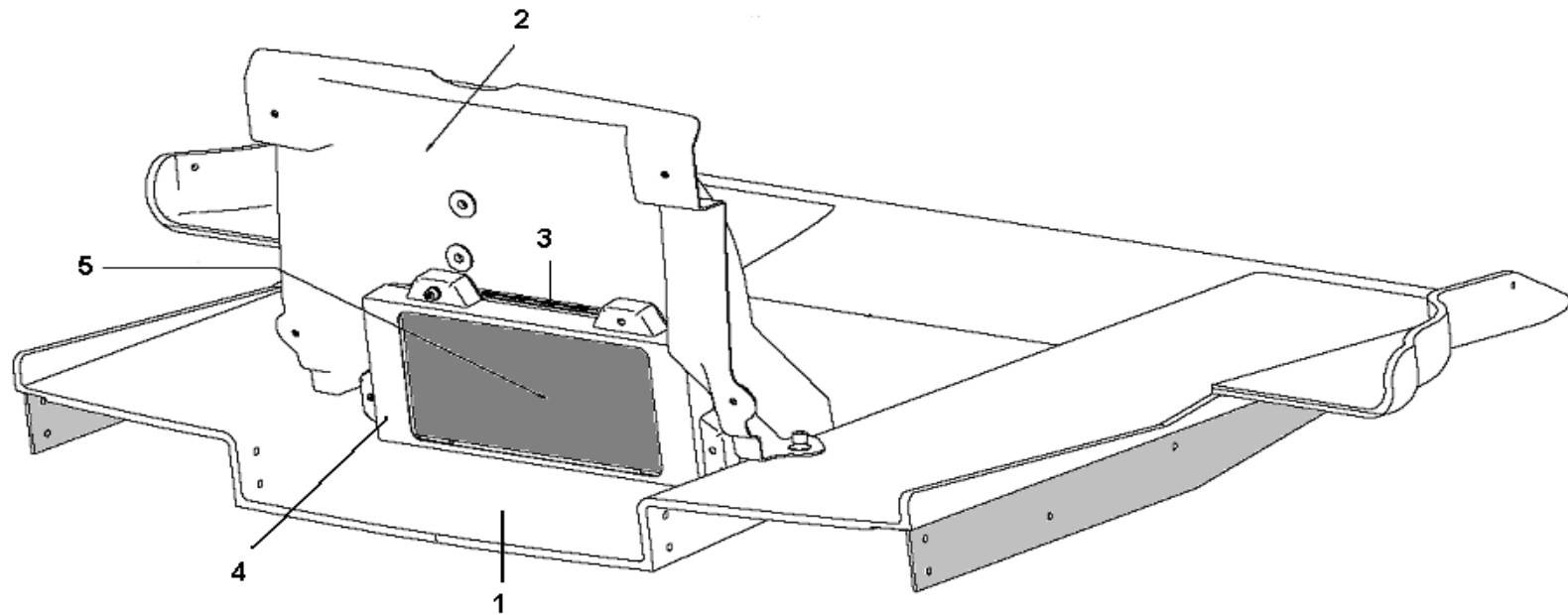
HAG/Halter ausbauen und erforderliche Position der Verschraubungsbohrung ausmessen. Loch (14,1mm) in Universalhalter 8310610 bohren.

Halter 8310610 an HAG schrauben (mit Loctite 270; Anzugmoment 200Nm).

Screw bracket 7768628 loosely to final drive (FD). Mount FD to car with screw 9911664 (torque 60Nm). Tighten screw 7768904 with wrench.

Mark the position of bracket/FD with colour spray. Disassemble FD/Bracket and measure the correct position of the mounting hole.

Drill a hole (14,1mm) into the universal bracket 8310610. Screw bracket 8310610 to FD (with Loctite 270; torque 200Nm).



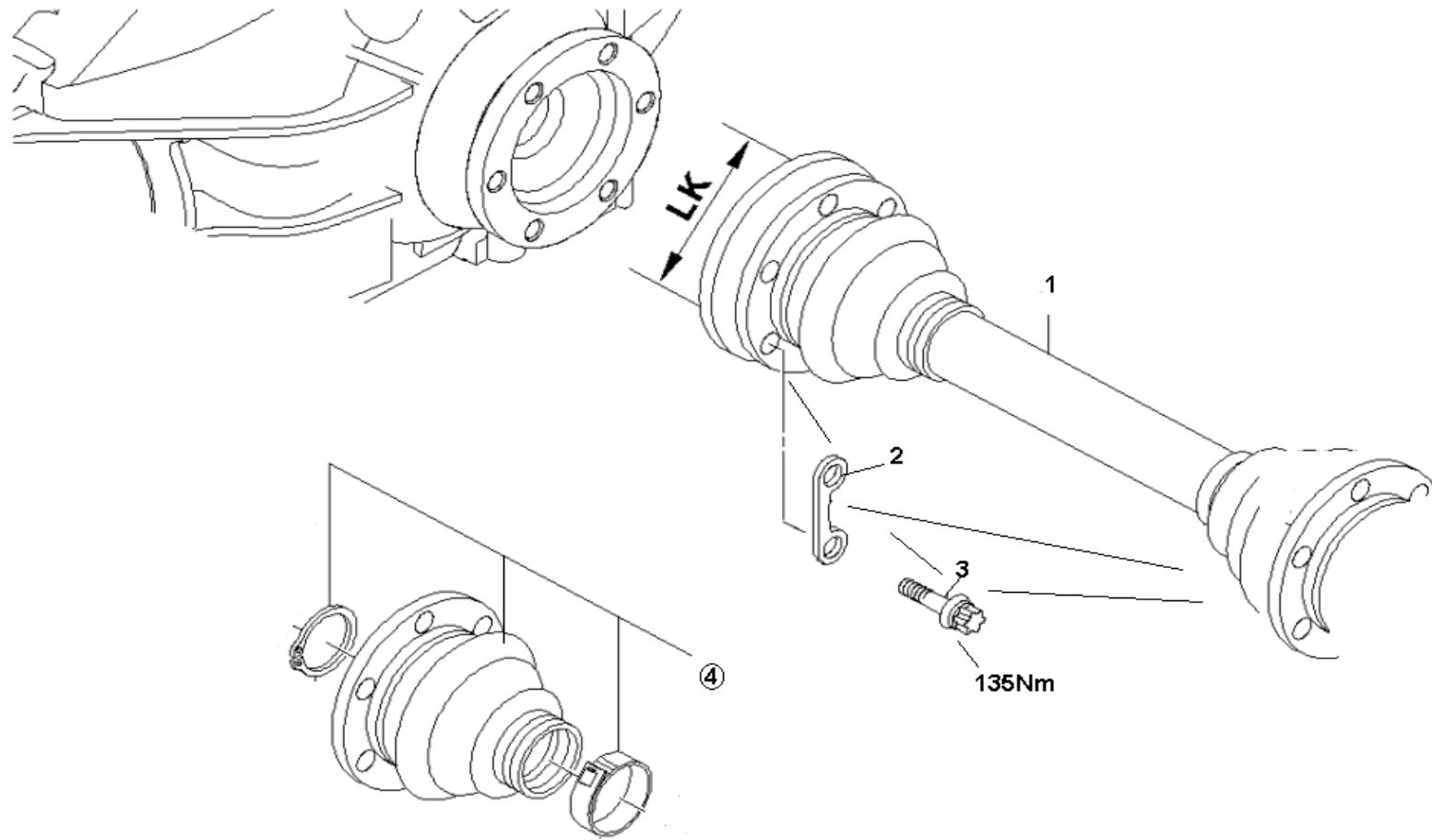
Spalten und Übergänge mit Moosgummi abdichten / seal gaps and crossovers with foamed rubber (7769354)

| Pos | HGUG | Teilenr. Part no. | * | Bezeichnung | Description | Info | Dispo | Menge |
|-----|------|----------------------|---|--|--|-------------|-----------|-------|
| 1 | 5162 | 8304985 | | DIFFUSOR MIT RAMPE | Diffusor with ramp | | | 1 |
| 2 | 5162 | 8304988 | | AUFNAHME | Support | | | 1 |
| 3 | 5162 | 8304896 | | KÜHLLUFTSCHACHT | Cooling duct | | | 1 |
| 4 | 5162 | 8304897 | | DECKEL | Cover | | | 1 |
| 5 | 3315 | 8304990 | | ÖLKÜHLER | Oil cooler | | | 1 |
| | | | | Montagematerial Kühler | Mounting material radiator | | | |
| | 6113 | 1355238 | | KABELTÜLLE | Grommet | | | 2 |
| | 1712 | 7769354 | | DICHTSTREIFEN | Seal strip | 12x12 | nB | |
| | | | | Leitungsumfang Kühler > HAG | Line assy radiator > final drive | | | |
| | 1722 | 2204802 | | SCHLAUCHANSCHLUSS | Hose connect | 8090-06D | | 1 |
| | 8130 | 4670330 | | SCHLAUCH | Hose | 8000-06D | per Meter | 0.5 |
| | 1722 | 2204802 | | SCHLAUCHANSCHLUSS | Hose connect | 8090-06D | | 1 |
| | 1722 | 2204790 | | STUTZEN | Connector | 833-06D | | 1 |
| | 1722 | 2204799 | | MUTTER | Nut | 924-06D | | 1 |
| | 0712 | 9952102 | * | SCHLAUCHSCHELLE | Hose clamp | L9-12 | | 2 |
| | 1722 | 2222516 | | ÖLPUMPE ELEKTRISCH (auf korrekte Erdung/Isolation achten !) | Oil pump Electric (take care of proper isolation !) | VDO | | 1 |
| | 0712 | 9952107 | * | SCHLAUCHSCHELLE | Hose clamp | L15-19 | | 2 |
| | 1200 | 2202587 | | HALTER | Bracket | TC102 | | 2 |
| | 0711 | 9948744 | * | BLINDNIET | Rivet | 3,2-4A | | 2 |
| | 6113 | 1367599 | * | KABELBAND | Tie wrap | l=200;b=3,6 | | 2 |
| | 1722 | 2221482 | | ÖLFILTER | Oil filter | SOBEK | | 1 |
| | 7112 | 7777899 | | BEFESTIGUNGSELEMENT | Mount support | TM 3S8 | | 2 |
| | 0711 | 9948753 | * | BLINDNIET | Rivet | 4-3A | | 2 |
| | 6113 | 1367599 | * | KABELBAND | Tie wrap | l=200;b=3,6 | | 2 |

| Pos | HGUG | Teilenr. Part no. | * | Bezeichnung | Description | Info | Dispo | Menge | |
|-----|------|----------------------|---|---------------------------------------|--|----------------|--------------|-----------|------|
| | | 3315 | | 7749686 | SCHLAUCHANSCHLUSS | Hose connect | M16x1,5/D10 | 1 | |
| | | 1722 | | 2204802 | SCHLAUCHANSCHLUSS | Hose connect | 8090-06D | 1 | |
| | | 8130 | | 4670330 | SCHLAUCH | Hose | 8000-06D | per Meter | 0.25 |
| | | 1722 | | 2204802 | SCHLAUCHANSCHLUSS | Hose connect | 8090-06D | 1 | |
| | | 3310 | | 7767347 | SCHNELLKUPPLUNG | Quick-coupling | 06 Nippel | 1 | |
| | | 3310 | | 7767346 | SCHNELLKUPPLUNG | Quick-coupling | 06 Coupler | 1 | |
| | | 7112 | | 7777899 | BEFESTIGUNGSELEMENT | Mount support | TM 3S8 | 2 | |
| | | 0711 | | 9948753 | * BLINDNIET | Rivet | 4-3A | 2 | |
| | | 6113 | | 1367599 | * KABELBAND | Tie wrap | l=200;b=3,6 | 2 | |
| | | | | Leitungsumfang HAG > Kühler | line assy final drive > oil cooler | | | | |
| | | 3313 | | 7749395 | HOHLSCHRAUBE | Hollow screw | 775-22x1,5 | 1 | |
| | | 3315 | | 7749677 | RINGANSCHLUSS | Ring connector | 8006-22D-06D | 1 | |
| | | 0711 | | 9963300 | * DICHRING | Gasket ring | A18x22 | 2 | |
| | | 8130 | | 4670330 | SCHLAUCH | Hose | 8000-06D | per Meter | 0.5 |
| | | 1722 | | 2204789 | SCHLAUCHANSCHLUSS | Hose connect | 8001-06D | 1 | |
| | | 3310 | | 7767347 | SCHNELLKUPPLUNG | Quick-coupling | 06 Nippel | 1 | |
| | | 3310 | | 7767346 | SCHNELLKUPPLUNG | Quick-coupling | 06 Coupler | 1 | |
| | | 7112 | | 7777899 | BEFESTIGUNGSELEMENT | Mount support | TM 3S8 | 2 | |
| | | 0711 | | 9948753 | * BLINDNIET | Rivet | 4-3A | 2 | |
| | | 6113 | | 1367599 | * KABELBAND | Tie wrap | l=200;b=3,6 | 2 | |
| | | 1722 | | 2204789 | SCHLAUCHANSCHLUSS | Hose connect | 8001-06D | 1 | |
| | | 8130 | | 4670330 | SCHLAUCH | Hose | 8000-06D | per Meter | 0.5 |
| | | 1722 | | 2204802 | SCHLAUCHANSCHLUSS | Hose connect | 8090-06D | 1 | |
| | | 7112 | | 7777899 | BEFESTIGUNGSELEMENT | Mount support | TM 3S8 | 2 | |
| | | 0711 | | 9948753 | * BLINDNIET | Rivet | 4-3A | 2 | |
| | | 6113 | | 1367599 | * KABELBAND | Tie wrap | l=200;b=3,6 | 2 | |

Abtriebswelle / drive shaft

Vers 5_2008



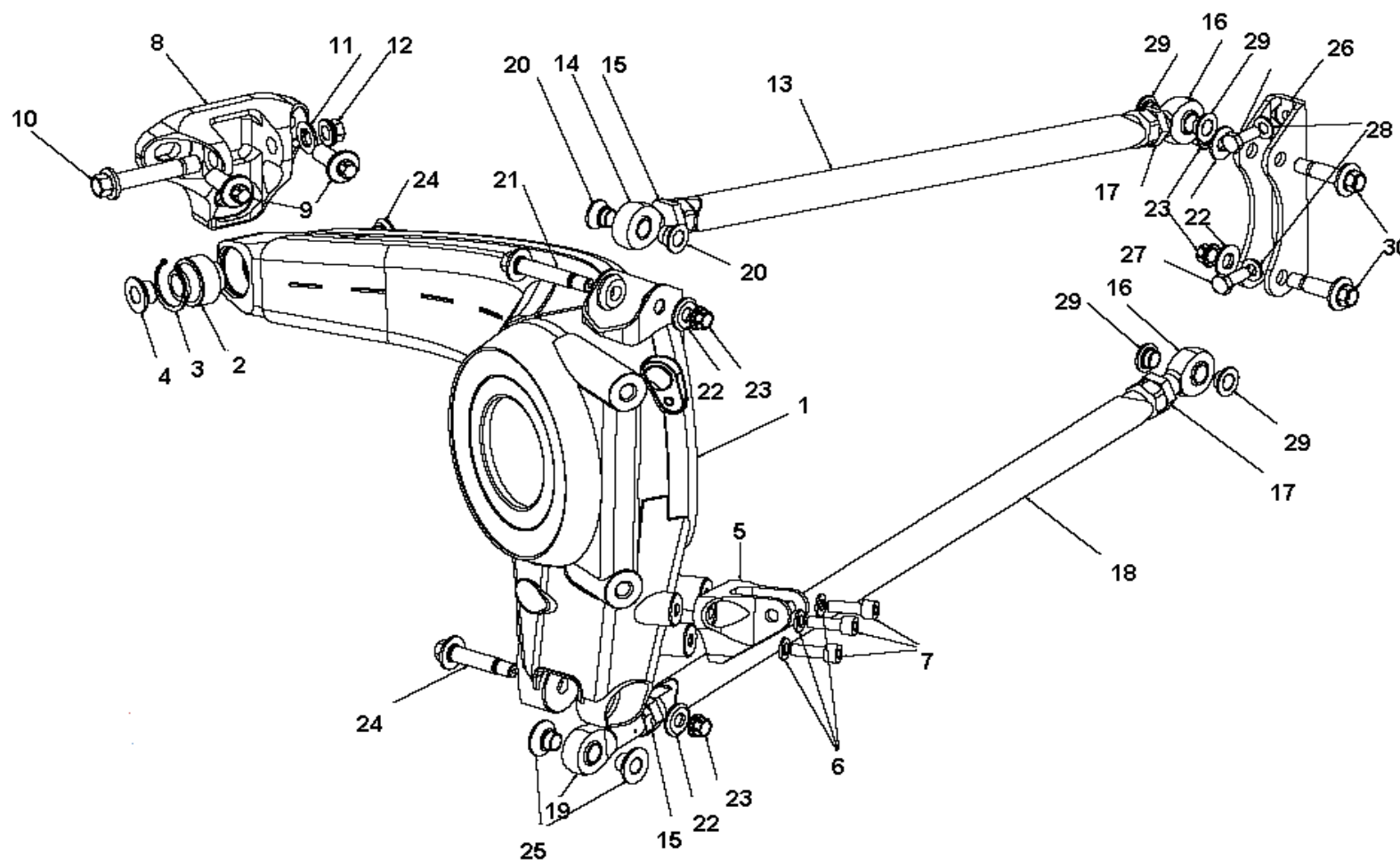
Abtriebswelle / drive shaft

Vers 5_2008

| Pos | HGUG | Part no. | * Teilenr. | Bezeichnung | Description | Info | Dispo | Menge |
|-----|------|----------|---------------|-------------------------------------|----------------------------------|--------|-------|-------|
| 1 | 3320 | 7768647 | | ABTRIEBSWELLE LINKS | Output shaft | | | 1 |
| 1 | 3320 | 7768648 | | ABTRIEBSWELLE RECHTS | Output shaft | | | 1 |
| 2 | 3321 | 2283013 | * | UNTERLEGBLECH | Reinforcement | d=12mm | | 12 |
| 3 | 3321 | 1227944 | * | TORXSCHRAUBE | Torx screw | M12x50 | | 24 |
| 4 | 3320 | 8310608 | | für Service REPARATURSATZ | for service Repair set | | nB | 4 |

Längslenker / trailing arm

Vers 9_2007



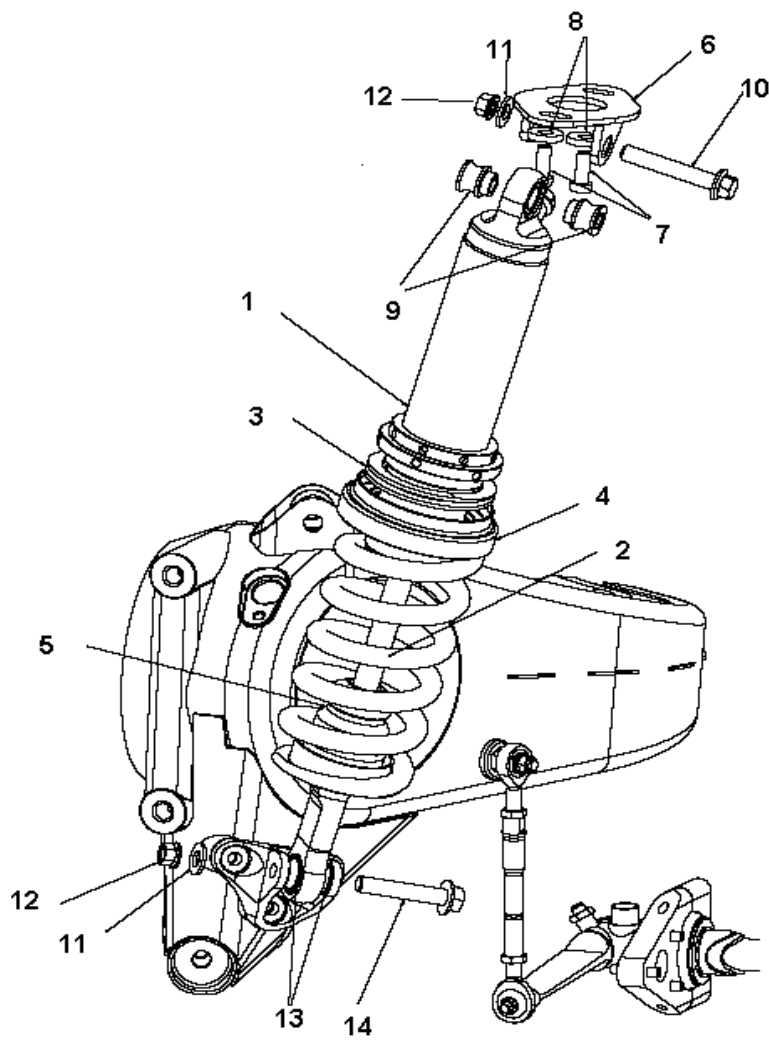
Längslenker / trailing arm

Vers 9_2007

| Pos | HGUG | Teilenr. Part no. | * * | Bezeichnung | Description | Info | Dispo | Menge |
|-----|------|----------------------|--------|--------------------|----------------|--------------|-------|-------|
| 1 | 3330 | 7768577 | | LÄNGSLENKER LINKS | Trailing arm | VLN | li/lh | 1 |
| 1 | 3330 | 7768578 | | LÄNGSLENKER RECHTS | Trailing arm | VLN | re/rh | 1 |
| 2 | 3112 | 2483481 | | GELENK | Joint | ABYTE10 | | 2 |
| 3 | 3330 | 7768652 | | SICHERUNGSRING | Lock Ring | JV35 | | 2 |
| 4 | 3330 | 7768861 | | DISTANZBUCHSE | Bush | | | 4 |
| 5 | 3350 | 7768665 | | AUFNAHME | Support | | | 2 |
| 6 | 0711 | 9903078 | * | SCHEIBE | Washer | 8-200 HV | | 6 |
| 7 | 0711 | 9919979 | * | ZYLINDERSCHRAUBE | Cylinder screw | M8x25 10.9 | | 6 |
| 8 | 3330 | 7768625 | | AUFNAHMEBOCK | Mountng Brkt | li+re | | 2 |
| 9 | 3330 | 8304604 | | ASA-SCHRAUBE | ASA-Bolt | M12x1,5x30 1 | | 6 |
| 10 | 3330 | 7768862 | | PASSSCHRAUBE | Bolt | | | 2 |
| 11 | 3330 | 7768863 | | BEILAGSCHEIBE | Washer | 23x12,5x2,5 | | 2 |
| 12 | 3333 | 2270119 | | SECHSKANTMUTTER | Hex nut | M12x1,5 Kay | | 2 |
| 13 | 3330 | 7768579 | | QUERLENKER OBEN | Wishbone | Z4 VLN | | 2 |
| 14 | 3330 | 8282247 | | GELENKKOPF | Sleeve end | ARHT 8E | | 2 |
| 15 | 3330 | 8282273 | | MUTTER | Nut | 5/8-18 UNF | | 4 |
| 16 | 3330 | 8282248 | | GELENKKOPF | Sleeve end | ARHT L 8E | | 4 |
| 17 | 3330 | 8282274 | | MUTTER | Nut | 5/8-18UNF li | | 4 |
| 18 | 3330 | 8304609 | | QUERLENKER UNTEN | Wishbone | Z4 VLN | | 2 |
| 19 | 3330 | 7768849 | | GELENKKOPF | Sleeve end | ARHT8 | | 2 |
| 20 | 3340 | 7768683 | | DISTANZBUCHSE | Bush | | | 4 |
| 21 | 3340 | 7768685 | | PASSSCHRAUBE | Bolt | | | 2 |
| 22 | 3330 | 7768860 | | BEILAGSCHEIBE | Washer | 24x10,5x3 | | 8 |
| 23 | 1100 | 1313177 | | SECHSKANTMUTTER | Hex nut | M10 Kay | | 8 |
| 24 | 3340 | 7768686 | | PASSSCHRAUBE | Bolt | | | 2 |
| 25 | 3330 | 8282556 | | DISTANZBUCHSE | Bush | | | 4 |
| 26 | 3330 | 7768840 | | LAGERBOCK | Bracket | Rz 80 | nB | 2 |
| 26 | 3330 | 7768837 | | LAGERBOCK | Bracket | Rz 110 | nB | 2 |
| 26 | 3330 | 7768836 | | LAGERBOCK | Bracket | Rz 120 | | 2 |
| 27 | 0711 | 9900605 | * | SECHSKANTSCHRAUBE | Screw | M8x22 10.9 | | 4 |
| 28 | 0711 | 9903078 | * | SCHEIBE | Washer | 8-200 HV | | 4 |
| 29 | 3330 | 7768864 | | DISTANZBUCHSE | Bush | QL i | | 8 |
| 30 | 3340 | 7768687 | | PASSSCHRAUBE | Bolt | QL i | | 4 |

Stossdämpfer / shock absorber

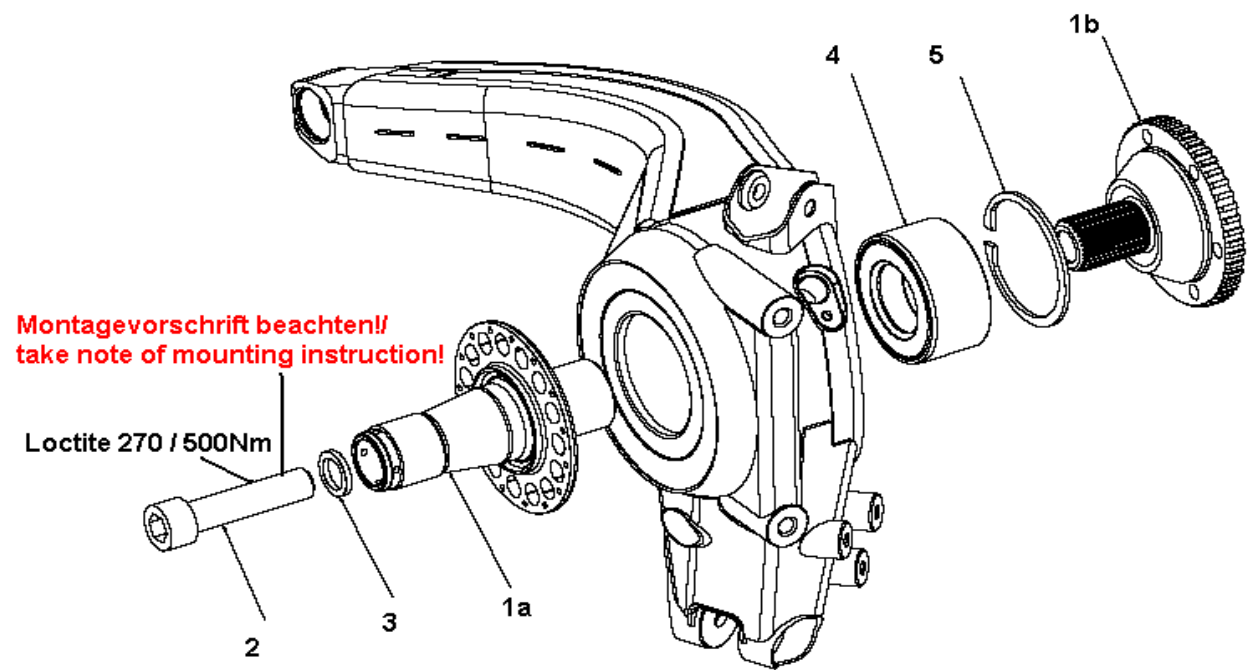
Vers 7_2007



Stossdämpfer / shock absorber

Vers 7_2007

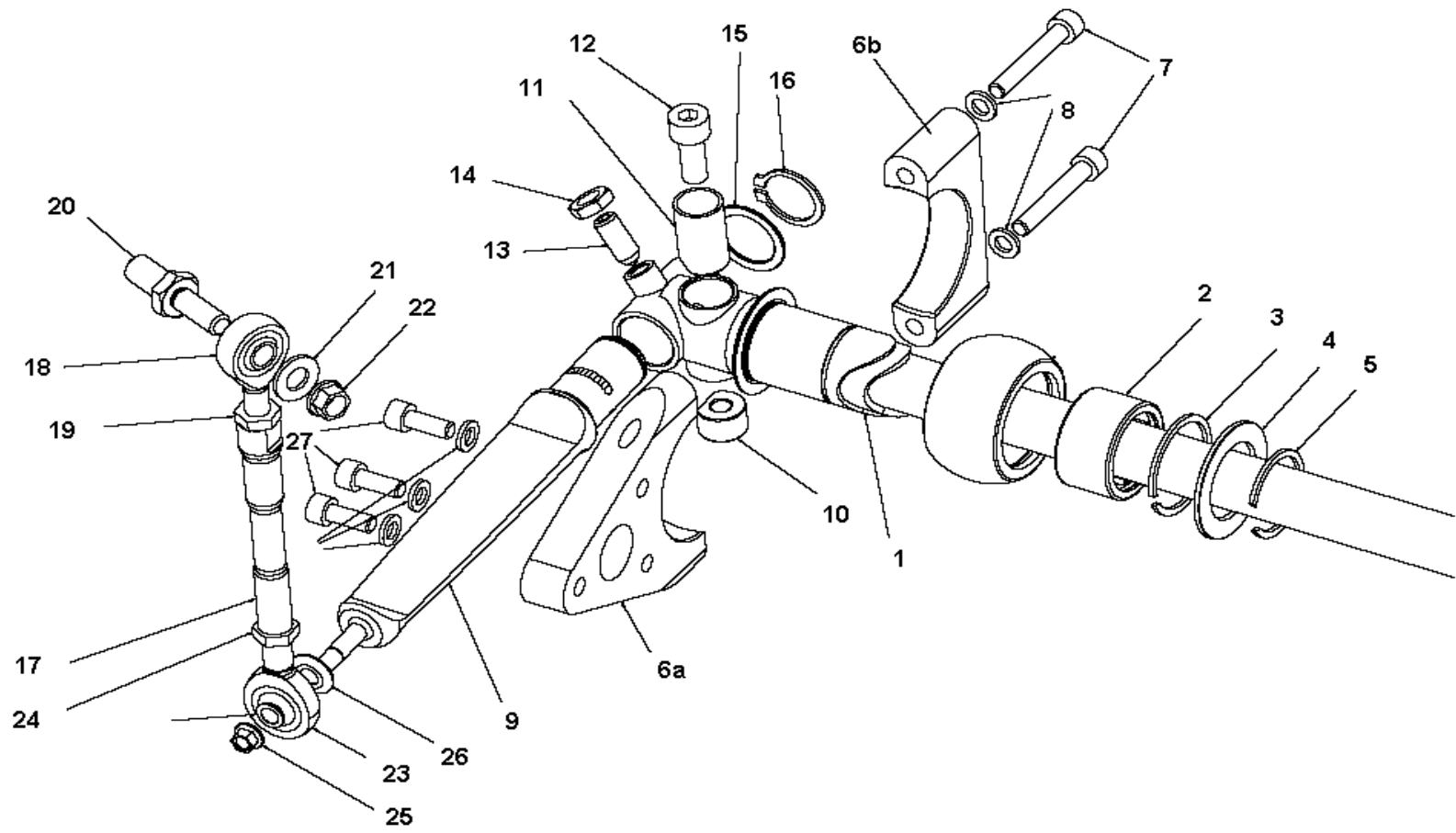
| Pos | HGUG | Teilenr. Part no. | * | Bezeichnung | Description | Info | Dispo | Menge |
|-----|------|----------------------|---|-----------------------|-----------------------|--------------|-------|-------|
| 1 | 3350 | 7768649 | | STOSSDÄMPFER | Shock absorb | SACHS | | |
| 2 | | | | AWT Hauptfeder | CT Main spring | | ww | |
| | 3353 | 7766693 | | SCHRAUBENFEDER | Coil spring | 180-60-90 | | |
| | 3353 | 7766694 | | SCHRAUBENFEDER | Coil spring | 180-60-100 | | 2 |
| | 3353 | 7766695 | | SCHRAUBENFEDER | Coil spring | 180-60-110 | | |
| | 3350 | 8277210 | | SCHRAUBENFEDER | Coil spring | 180-60-130 | | |
| | 3350 | 8277211 | | SCHRAUBENFEDER | Coil spring | 180-60-140 | | |
| 3 | 3133 | 2500011 | | SCHRAUBENFEDER | Coil spring | 60-60-2 Help | | 2 |
| 4 | 3133 | 2500002 | | FÜHRUNG | Guide | <Feder 200 | | 2 |
| 5 | 3350 | 8282888 | | ANSCHLAGPUFFER | Buffer | | | 2 |
| 6 | 3352 | 7767089 | | STÜTZLAGER | Guide supp. | | | 2 |
| 7 | 3611 | 7745175 | | ZYLINDERSCHRAUBE | Cylinder screw | M8x20 10.9 | | 4 |
| 8 | 0711 | 9901750 | * | SCHEIBE | Washer | 8,4-ST-ZNS | | 4 |
| 9 | 3350 | 8304816 | | BUCHSE OBEN | Bush | | | 4 |
| 10 | 3332 | 7766878 | | SECHSKANTSCHRAUBE | Hex Bolt | M10x1,25x63 | | 2 |
| 11 | 0711 | 9902275 | * | BEILAGSCHEIBE | Washer | A10,5 | | 4 |
| 12 | 1100 | 2194330 | | SECHSKANTMUTTER | Hex nut | M10x1,25 Kay | | 4 |
| 13 | 3350 | 8304817 | | BUCHSE UNTEN | Bush | | | 4 |
| 14 | 3353 | 7766862 | | PASSSCHRAUBE | Fit screw | M10x1,25x52 | | 2 |



Radnabe und -lagerung / wheel hub and bearing

Vers 11_2007

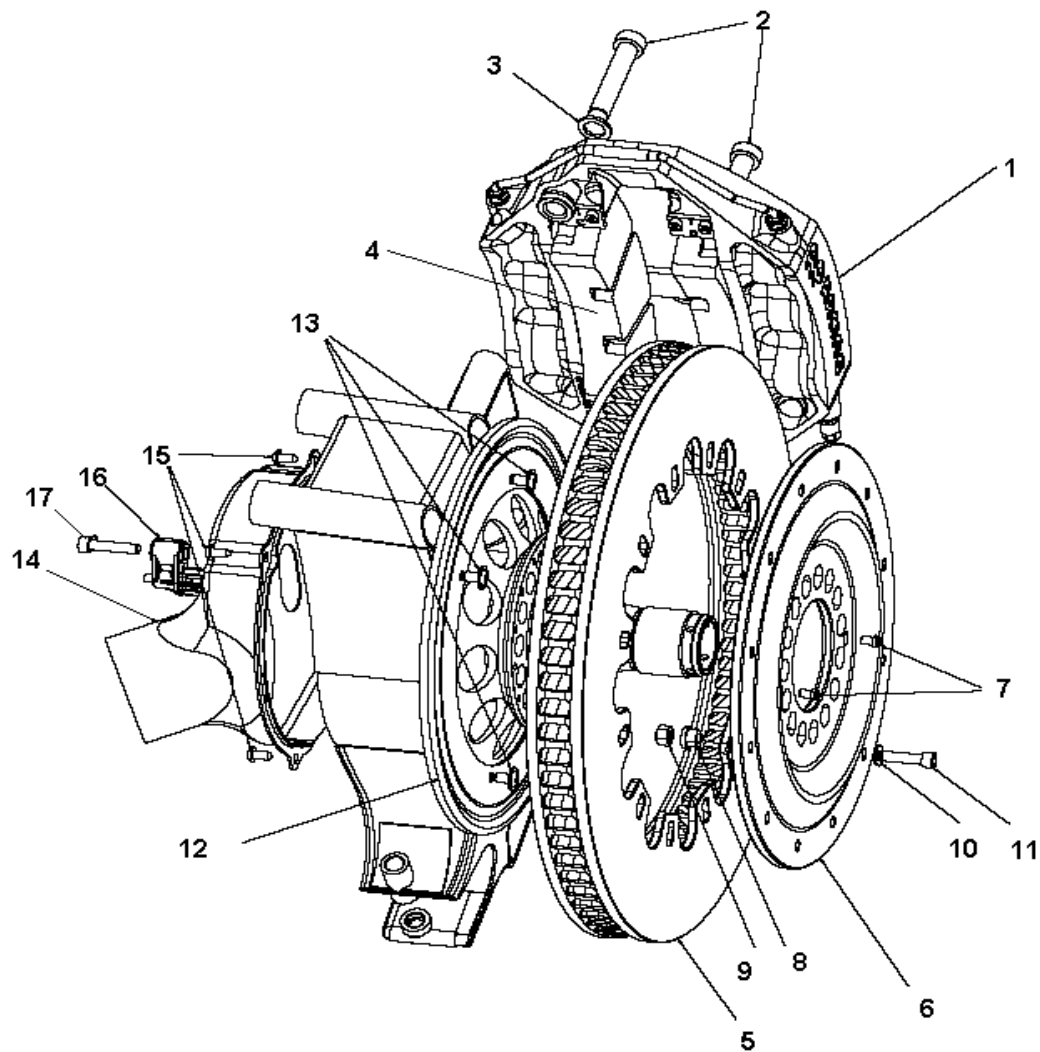
| Pos | HGUG | Part no. | * Teilenr. | Bezeichnung | Description | Info | Dispo | Menge |
|-----|------|----------|---------------|--|--|-------------|-------|-------|
| 1 | 3340 | 8305083 | | RADNABE GEPAART | Wheel hub SET | li "2007" | | 1 |
| 1 | 3340 | 8305084 | | RADNABE GEPAART | Wheel hub SET | re "2007" | | 1 |
| 1 | 3340 | 8305082 | | Version 5-Loch Radbefestigung RADNABE GEPAART | Version 5-bolt wheel mounting Wheel hub SET | m. Flansch | nB | 2 |
| 2 | 3340 | 8305089 | | ZYLINDERSCHRAUBE | Fillister | M20x1,5x89 | | 1 |
| | 3300 | 8305095 | | WERKZEUG | Tool | | nB | 1 |
| 3 | 3310 | 7768906 | | UNTERLEGSCHEIBE | Washer | 30x21x4 | | 2 |
| 4 | 3341 | 8310640 | | SCHRÄGKUGELLAGER | Roller bearing | 45x85,05x41 | | 2 |
| 5 | 0711 | 9934755 | * | SICHERUNGSRING | Lock ring | 85x3 | | 2 |
| | | | | Radmuttern siehe 3120 | wheel nut refer 3120 | | | |



HA-Stabilisator / rear anti-rollbar

Vers 03_2008

| Pos | HGUG | Teilenr. Part no. | * | Bezeichnung | Description | Info | Dispo | Menge |
|-----|------|----------------------|---|-------------------------------|--------------------------|--------------|-------|-------|
| 1 | 3330 | 7768776 | | STABILISATOR | Stabilizer | 20x1,5 | | 1 |
| 1 | 3330 | 7768777 | | STABILISATOR | Stabilizer | 25x1,5 | nB | 1 |
| 2 | 3355 | 8282032 | | NADELHÜLSE | NEEDL SLEEVE | INA HK 2820. | nB | 2 |
| 3 | 3355 | 8282040 | | SPRENGRING | SNAP RING | SB35-A501-S | nB | 2 |
| 4 | | 8282048 | | ANLAUFSCHLEIBE | Stop disc | | | - |
| 5 | 0711 | 9934186 | * | SICHERUNGSRING | Lock ring | 28x1,5 | nB | 2 |
| 6 | 3350 | 8304857 | | LAGERBOCK STABILISATOR | Support | gepaart | | 2 |
| 7 | 0711 | 9900309 | | ZYLINDERSCHRAUBE M. SCHEIBE | Cylinder screw w. washer | M6x40 Z1 | | 4 |
| 8 | 0711 | 9903791 | * | BEILAGSCHEIBE | Washer | A6,4 | nB | 0 |
| 9 | 3350 | 7750800 | | STABILISATORSCHWERT | Antiroll bar | | | 2 |
| 10 | 3350 | 7750746 | | KLEMMSTÜCK | CLAMP PIECE | M8 | | 2 |
| 11 | 3350 | 8277977 | | KLEMMSTÜCK | CLAMP PIECE | LANG | | 2 |
| 12 | 0711 | 9919970 | * | ZYLINDERSCHRAUBE | Cylinder screw | M8x20 | | 2 |
| 13 | 3350 | 7750741 | | DRUCKSTÜCK | Thrust | | | 2 |
| 14 | 0711 | 9904254 | * | SECHSKANTMUTTER | Nut | M8 | | 2 |
| 15 | 3350 | 7750751 | | ANLAUFSCHLEIBE | Stop disc | | | 2 |
| 16 | 0711 | 9934132 | * | SICHERUNGSRING | Lock ring | 20x1,2 | | 2 |
| 17 | 3350 | 7768826 | | PENDELSTÜTZE | Stabil. link | | | 2 |
| 18 | 3350 | 7750784 | | GELENKKOPF | Sleeve end | SMLCD8 | | 2 |
| 19 | 0711 | 2201613 | | SECHSKANTMUTTER | Hex nut | M8 li UNI-ST | | 2 |
| 20 | 3350 | 7768825 | | ZAPFEN | Pin | | | 2 |
| 21 | 0711 | 9931019 | * | BEILAGSCHEIBE | Washer | A8,4-ZNS | | 2 |
| 22 | 1100 | 1313172 | | SECHSKANTMUTTER SELBSTSICHERI | Nut | M8 Kay | | 2 |
| 23 | 3350 | 7750762 | | GELENKKOPF | Sleeve end | ARYT4E | | 2 |
| 24 | 0715 | 1306978 | | SECHSKANTMUTTER | Hex nut | 3/8-24 Unf 3 | | 2 |
| 25 | 1136 | 1313170 | * | SECHSKANTMUTTER SELBSTSICHERI | Nut | M6 Kay | | 2 |
| 26 | 3350 | 7750762 | | GELENKKOPF | Sleeve end | ARYT4E | | 2 |
| 27 | 0711 | 9901438 | * | ZYLINDERSCHRAUBE | Cylinder screw | M6x16-ZNS | | 6 |
| 28 | 0711 | 9903791 | * | BEILAGSCHEIBE | Washer | A6,4 | | 6 |



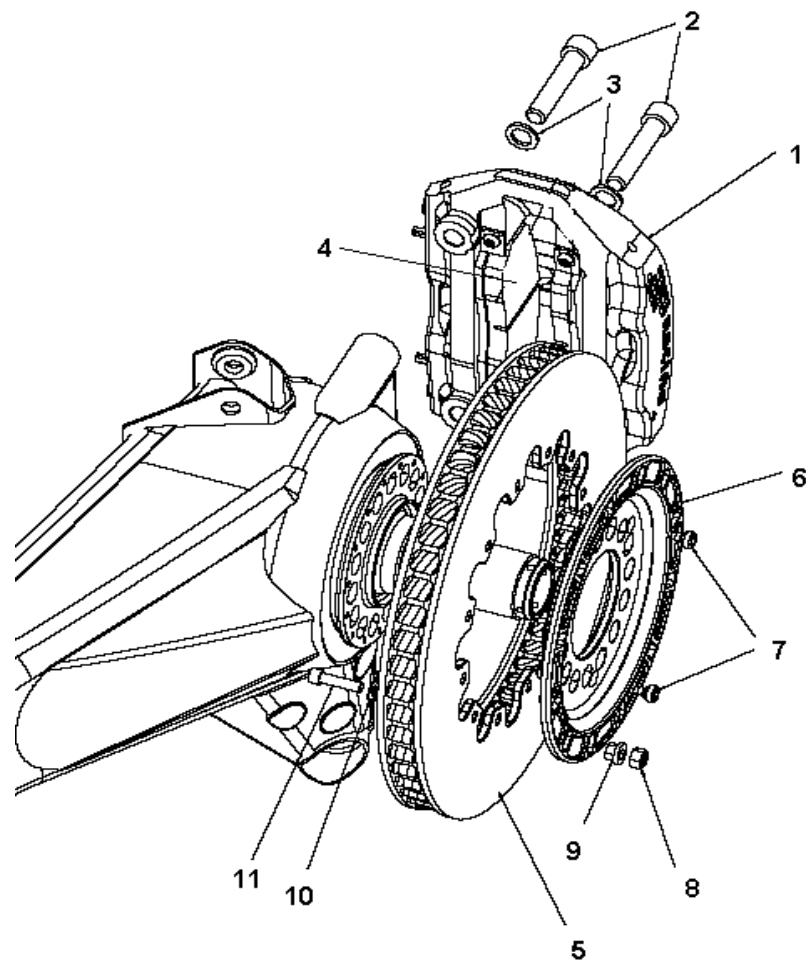
Bremse VA / brake FA

Vers 10_2007

| Pos | HGUG | Teilenr. Part no. | * | Bezeichnung | Description | Info | Dispo | Menge |
|-----|------|----------------------|---|-----------------------------------|-------------------------------|--------------|-------|-------|
| 1 | 3410 | 7768593 | | BREMSSATTEL LINKS | Brake calip. | CP6080-3S7MP | | 1 |
| 1 | 3410 | 7768594 | | BREMSSATTEL RECHTS | Brake calip. | CP6080-2S7MP | | 1 |
| | | 3410 | | DICHTUNGSSATZ BREMSSATTEL | Gasket set | CP4518-CEJ | nB | 1 |
| 2 | 3411 | 7767002 | | ZYLINDERSCHRAUBE | Fillister | M12x1,5x60 1 | | 4 |
| 3 | 3410 | 7768666 | | SCHEIBE | Washer | 13x20x2 200H | | 4 |
| | | | | zum Anschluss Bremsleitung | Fitting for brake line | | | |
| | 8130 | 4670300 | | ANSCHLUSS | Union | 919-10x1-D3s | | 2 |
| | 0711 | 9963072 | * | DICHTRING | Gasket ring | A10x13,5-Cu | | 2 |
| | | | | AWT Bremsbelag | CT brake pad | | | |
| 4 | 3410 | 7768617 | | BREMSBELAG | Brake pad | PFC01 | ww | 1 |
| 4 | 3410 | 8310672 | | BREMSBELAG | Brake pad | PFC05 | ww | 1 |
| 4 | 3410 | 7768618 | | BREMSBELAG | Brake pad | Rayb | ww | 1 |
| 5 | 3410 | 7768589 | | BREMSSCHEIBE LINKS | Brake disk | 378x35,5 | | 1 |
| 5 | 3410 | 7768590 | | BREMSSCHEIBE RECHTS | Brake disk | 378x35,5 | | 1 |
| 6 | 3410 | 7768750 | | BREMSSCHEIBENTOPF | Brake disc bell | | | 2 |
| 6 | 3410 | 8305000 | | BREMSSCHEIBENTOPF | Brake disc bell | 5-bolt-syste | nB | 2 |
| 7 | 3410 | 8304627 | | FLACHKOPFSCHRAUBE | Screw | M5x12 12.9 | | 4 |
| 8 | 3410 | 8278572 | | HÜLSE | Sleeve | CP2494-589MJ | | 24 |
| 9 | 3421 | 2222278 | | MUTTER | Nut | AP CP2494-11 | | 24 |
| 10 | 3411 | 7749534 | | UNTERLEGSCHNEIBE | Washer | CP2494-118 | | 24 |
| 11 | 3420 | 8282735 | | SCHRAUBE | Bolt | 0.25UNFx1.00 | | 24 |
| 12 | 3410 | 7768751 | | LUFTLEITBLECH | GUIDE PLATE | | | 2 |
| 13 | 0714 | 7077846 | * | LINSENSCHRAUBE MIT BUND | Lens screw | M6x10 | | 16 |
| 14 | 3411 | 7768973 | | LUFTFÜHRUNG LINKS | Air duct | | | 1 |
| 14 | 3411 | 7768974 | | LUFTFÜHRUNG RECHTS | Air duct | | | 1 |
| 15 | 0711 | 9904979 | * | FLACHKOPFSCHRAUBE | Flat screw | M5x12 | | 8 |
| 16 | 3452 | 6752681 | * | IMPULSGEBER | Pulse generator | li/lh | | 1 |
| 16 | 3452 | 6752682 | * | IMPULSGEBER | Pulse generator | re/rh | | 1 |
| 17 | 0712 | 9905386 | * | ZYLINDERSCHRAUBE | Cylinder screw | M6x30 | | 2 |

7

7



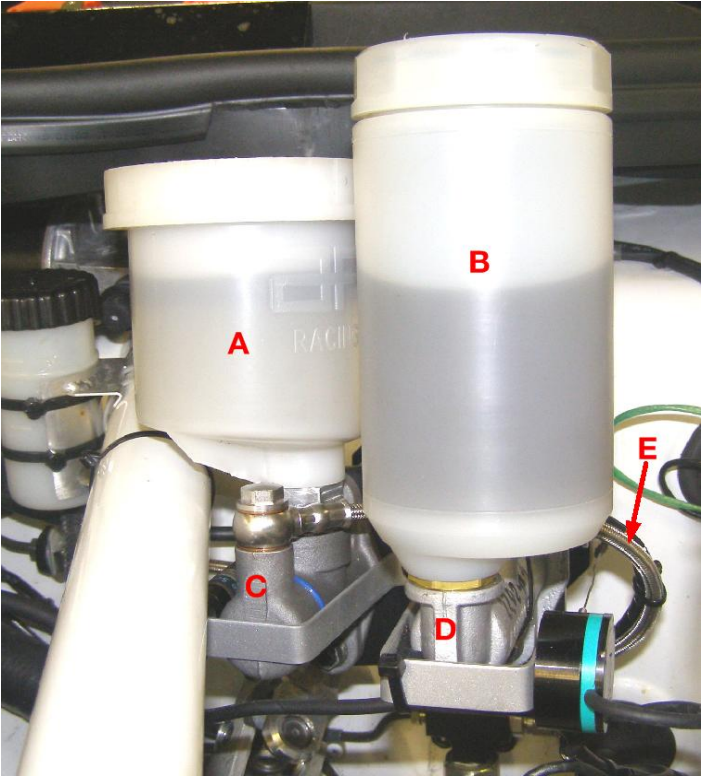
Bremse HA / brake RA

Vers 10_2007

| Pos | HGUG | Teilenr. Part no. | * | Bezeichnung | Description | Info | Dispo | Menge |
|-----|------|----------------------|---|-----------------------------------|-------------------------------|--------------|-------|-------|
| 1 | 3420 | 7768595 | | BREMSSATTEL LINKS | Brake calip. | CP6340-3S4M | | 1 |
| 1 | 3420 | 7768596 | | BREMSSATTEL RECHTS | Brake calip. | CP6340-2S4M | | 1 |
| | 3420 | 8304814 | | DICHTUNG | Gasket | CP4900-165 | nB | 4 |
| | 3420 | 8304815 | | DICHTUNG | Gasket | CP4900-169 | nB | 4 |
| 2 | 3410 | 2485646 | | ZYLINDERSCHRAUBE | Fillister | M12x1,5x60 1 | | 4 |
| 3 | 3410 | 7768666 | | SCHEIBE | Washer | 13x20x2 200H | | 4 |
| | | | | zum Anschluss Bremsleitung | Fitting for brake line | | | |
| | 8130 | 4670300 | | ANSCHLUSS | Union | 919-10x1-D3s | | 2 |
| | 0711 | 9963072 | * | DICHTRING | Gasket ring | A10x13,5-Cu | | 2 |
| | | | | AWT Bremsbelag | CT brake pad | | | |
| 4 | 3420 | 7768615 | | BREMSBELAG | Brake pad | PFC01 | ww | 1 |
| 4 | 3420 | 8310673 | | BREMSBELAG | Brake pad | PFC05 | ww | 1 |
| 4 | 3420 | 7768616 | | BREMSBELAG | Brake pad | Rayb | ww | 1 |
| 5 | 3420 | 7768591 | | BREMSSCHEIBE LINKS | Brake disk | 304x28 | | 1 |
| 5 | 3420 | 7768592 | | BREMSSCHEIBE RECHTS | Brake disk | 304x28 | | 1 |
| 6 | 3420 | 7768877 | | BREMSSCHEIBENTOPF | Brake disc bell | Z4 VLN | | 2 |
| 6 | 3420 | 8304996 | | BREMSSCHEIBENTOPF | Brake disc bell | 5-bolt-syste | nB | 2 |
| 7 | 3420 | 7768891 | | HALTESCHRAUBE | Bolt | M5 | | 4 |
| 8 | 3421 | 2222278 | | MUTTER | Nut | AP CP2494-11 | | 16 |
| 9 | 3410 | 8278572 | | HÜLSE | Sleeve | CP2494-589MJ | | 16 |
| 10 | 3411 | 7749534 | | UNTERLEGSCHNEIBE | Washer | CP2494-118 | | 16 |
| 11 | 3420 | 8282735 | | SCHRAUBE | Bolt | 0.25UNFx1.00 | | 16 |

r

r



A = Hinterachse / rear axle

B = Vorderachse / front axle

| Pos | HGUG | Teilenr. Part no. | * | Bezeichnung | Description | Info | Dispo | Menge |
|-----|------|----------------------|---|-------------------------------|-------------------------------|---------------|-------|-------|
| A | 3430 | 7768890 | | AUSGLEICHSBEHÄLTER | Expansion tank | 275ml | | 1 |
| | 3430 | 7766737 | | NIPPEL | Nipple | | | 1 |
| | 3220 | 8282746 | | SECHSKANTMUTTER | Hex nut | M12x1,25 G10 | | 1 |
| | 3430 | 7767085 | | O-RING | O-RING | | | 1 |
| | 3430 | 7766738 | | O-RING | O-RING | | | 1 |
| B | 3420 | 7766714 | | AUSGLEICHSBEHÄLTER | Expansion tank | 304ml | | 1 |
| | 2100 | 7767248 | | HOHLSCHRAUBE | Hollow bolt | 775-3/8 24 ss | | 1 |
| | 3432 | 7767264 | | DICHTRING | Gasket ring | 7603-03D | | 1 |
| | | | | für geringe Pedalkraft | for small pedal force | | | |
| C | 3433 | 7749542 | | GEBERZYLINDER | Cylinder | 0,7" | ww | 1 |
| D | 3431 | 8305071 | | GEBERZYLINDER | Cylinder | 0,625" | ww | 1 |
| | | | | für normale Pedalkraft | for normal pedal force | | | |
| C | 3433 | 7749543 | | GEBERZYLINDER | Cylinder | 0,75" | ww | 1 |
| D | 3400 | 8305041 | | GEBERZYLINDER | Cylinder | | ww | 1 |
| | | | | Befestigung Zylinder | Mounting of cylinders | | | |
| | 1100 | 1313172 | | SECHSKANTMUTTER | Hex nut | Kay M8 | | 4 |

| Pos | HGUG | Teilenr. Part no. | * | Bezeichnung | Description | Info | Dispo | Menge |
|------|------|----------------------|---|----------------------------|------------------------|------------|-------|-------|
| 3433 | | 7749476 | | BREMSGERÄT MIT VERSTELLUNG | Power brake adj. | | | 1 |
| 3433 | | 7769500 | | WAAGEBALKEN | Brake balance adjuster | | | 1 |
| 3433 | | 7769501 | | VERSTELLMUTTER | Nut | | | 2 |
| 3132 | | 2486425 | | SCHEIBE | Washer | | | 2 |
| 3520 | | 8281824 | | VERSTELLWELLE | Adjusting shaft | | | 1 |
| 6113 | | 1371049 | * | KABELTÜLLE | Cable grommet | 30mm/6mm | | 1 |
| 6161 | | 2501305 | | MADENSCHRAUBE | Grub screw | M4x5 | | 2 |
| 0711 | | 2206434 | | HALTER | Bracket | LKC | | 2 |
| 1710 | | 7750539 | | SCHELLE | Clamp | 4HP | | 2 |
| 1100 | | 7742142 | | LINSENSCHRAUBE | Lens screw | M4x10 | | 2 |
| 1710 | | 2501515 | | SECHSKANTMUTTER | Hex nut | Kay M4 | | 2 |
| 3430 | | 8304867 | | HALTER VERSTELLWELLE | Bracket adj. Shaft | | | 1 |
| 1710 | | 7769457 | | LINSENSCHRAUBE | Lens screw | M5x12 10.9 | | 2 |
| 1100 | | 2190416 | | SECHSKANTMUTTER | Hex nut | Kay M5 HWM | | 2 |

| Pos | HGUG | Teilenr. Part no. | * Bezeichnung | Description | Info | Dispo | Menge |
|-----|------|----------------------|----------------------------------|---------------------------------|----------------|-------|-------|
| | | | Leitungsumfänge | brake pipes | | | |
| | 3432 | 6755706 | * BREMSLEITUNGSROHR | Brake tube | l=3850mm | | 3 |
| | | | Befestigungsmaterial | Mounting parts | | | |
| | 3430 | 8304632 | BEFESTIGUNGSELEMENT | Support | TC 824 | | 6 |
| | 3430 | 8304863 | HALTER | Bracket | | | 3 |
| | 0712 | 9948753 | * NIET | Rivet | 4-3A | | 6 |
| | | | Radhaus -> Bremssattel | Wheel arch -> caliper | | | |
| | 3430 | 8304631 | BREMSLEITUNG | Brake line | VA/FA | | 2 |
| | 3430 | 8304630 | BREMSLEITUNG | Brake line | HA/RA | | 2 |
| E | 3430 | 8305086 | BREMSLEITUNG HBZ-Radhaus VA | Brake line Cyl. - wheel arch FA | VA/FA | | 1 |
| | 3430 | 8304629 | BREMSLEITUNG HBZ-Verteiler HA | Brake line Cyl.- distributor RA | HA/RA | | 1 |
| | 3400 | 8282017 | VERTEILERSTÜCK HA | Distributor RA | 829-10X1 | | 1 |
| | 8130 | 4670300 | ANSCHLUSS | Union | 919-10X1-D3 ss | | 1 |
| | | | Befestigung V-Stück | Mounting distributor | | | |
| | 5171 | 7749482 | LINSENSCHRAUBE | Lens screw | M5x16 10.9 | | 2 |
| | 4131 | 7742890 | EINNIETMUTTER | Rivet nut | M5 | | 2 |
| | 3430 | 8304865 | DISTANZSTÜCK | Spacer | | | 2 |
| | | | Karosseriedurchgänge | body connections | | | |
| | 3430 | 8304852 | ÜBERWURFSCHRAUBE | Connector | NIP-10x1 ss | | 20 |
| | 3430 | 8304853 | BORDWANDDURCHFÜHRUNG | Bulkhead connector | 832-10x1 ss | | 6 |

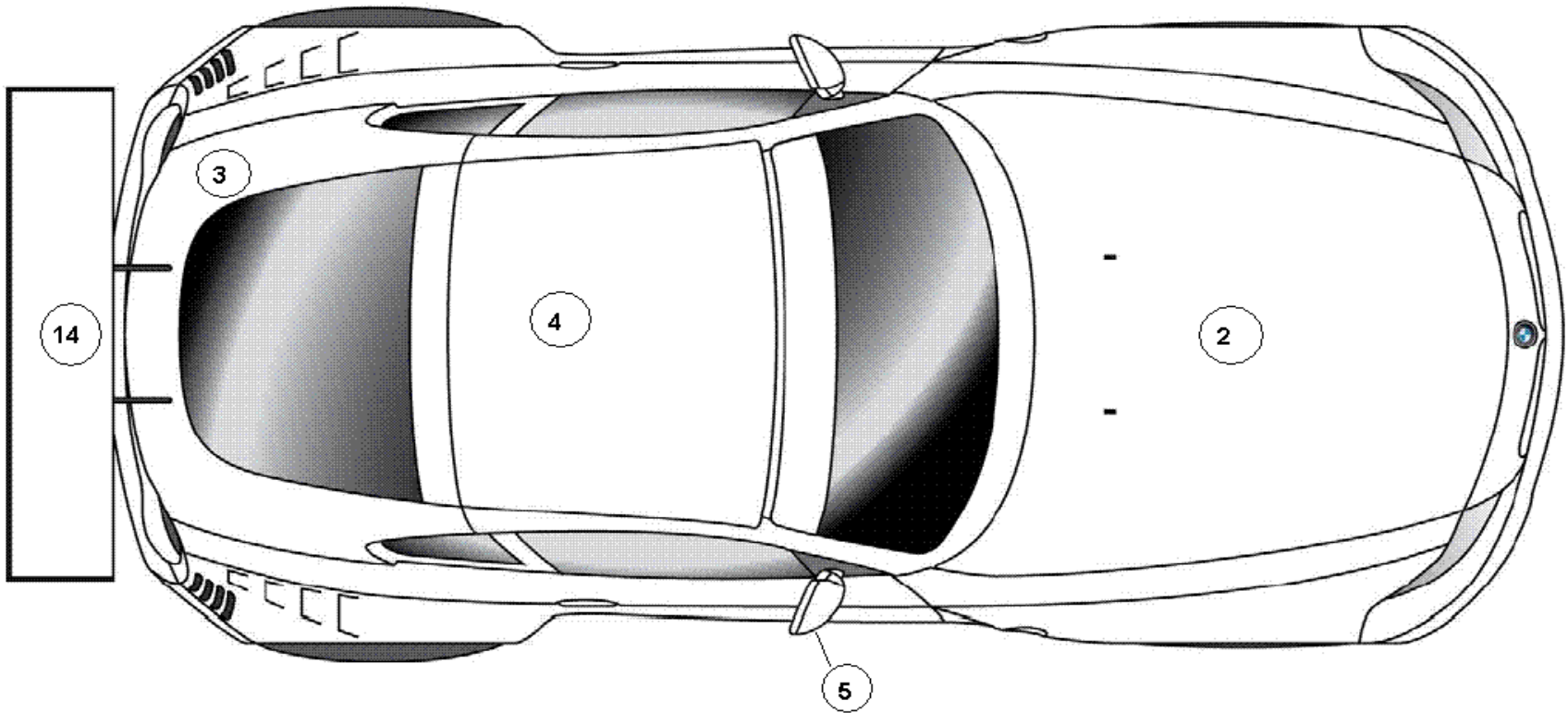
ABS / DSC System + Sensorik

Vers 03_2008

| Pos | HGUG | Teilenr. Part no. | * | Bezeichnung | Description | Info | Dispo | Menge |
|-----|------|----------------------|---|---------------------------------|----------------------------|---------------|-------|-------|
| | 3450 | 8298264 | | HYDRAULIKEINHEIT | Hydraulic unit | MK60 DSC Race | | 1 |
| | | | | Befestigung Hydr.einheit | Mounting hydr. Unit | | | |
| | 1350 | 8299617 | | HALTER | Support | | | 1 |
| | 1711 | 1120224 | * | GUMMILAGER | Silent bloc | | | 1 |
| | 5171 | 7750609 | | SCHWINGMETAL | Silent bloc | M6 | | 2 |
| | 0714 | 6977328 | * | DISTANZHÜLSE | Spacer | | | 3 |
| | 3451 | 8305012 | | ABDECKUNG | Cover | VLN | | 1 |
| | 1100 | 7742142 | | LINSENSCHRAUBE | Lens screw | M4x10 | | 3 |
| | | | | notwendige Sensorumfänge | necessary sensors | | | |
| | 3714 | 6781436 | * | LENKWINKELSENSOR | Sensor (Steering angle) | | | 1 |
| | 3450 | 8298296 | | LAGERUNG | Support | | | 1 |
| | 3452 | 8298300 | | DSC SENSOR | Sensor DSC | Teves | | 1 |
| | 6112 | 8304980 | | LAGERUNG | Support | | | 1 |
| | 3452 | 6752681 | * | IMPULSGEBER RAD VA | Sensor wheelspeed FA | li /lh | | 1 |
| | 3452 | 6752682 | * | IMPULSGEBER RAD VA | Sensor wheelspeed FA | re/rh | | 1 |
| | 0712 | 9905386 | * | ZYLINDERSCHRAUBE | Cyl Screw | M6x30 | | 2 |
| | 3452 | 6757281 | * | IMPULSGEBER RAD HA | Sensor wheelspeed RA | | | 2 |
| | 6113 | 1361918 | * | KABELTÜLLE | Cable grommet | | | 2 |
| | 0711 | 9901438 | * | ZYLINDERSCHRAUBE | Cyl Screw | M6x16 | | 2 |
| | | | | für Analyse | for analysis | | | |
| | 3450 | 8298364 | | AUSLESEKABEL | Read-out cable | OBD/DSC>PC | nB | 1 |
| | 3450 | 8298365 | | ANALYSE - SOFTWARE (CD) | Analysis Software (CD) | | nB | 1 |

siehe 3120 und 3340

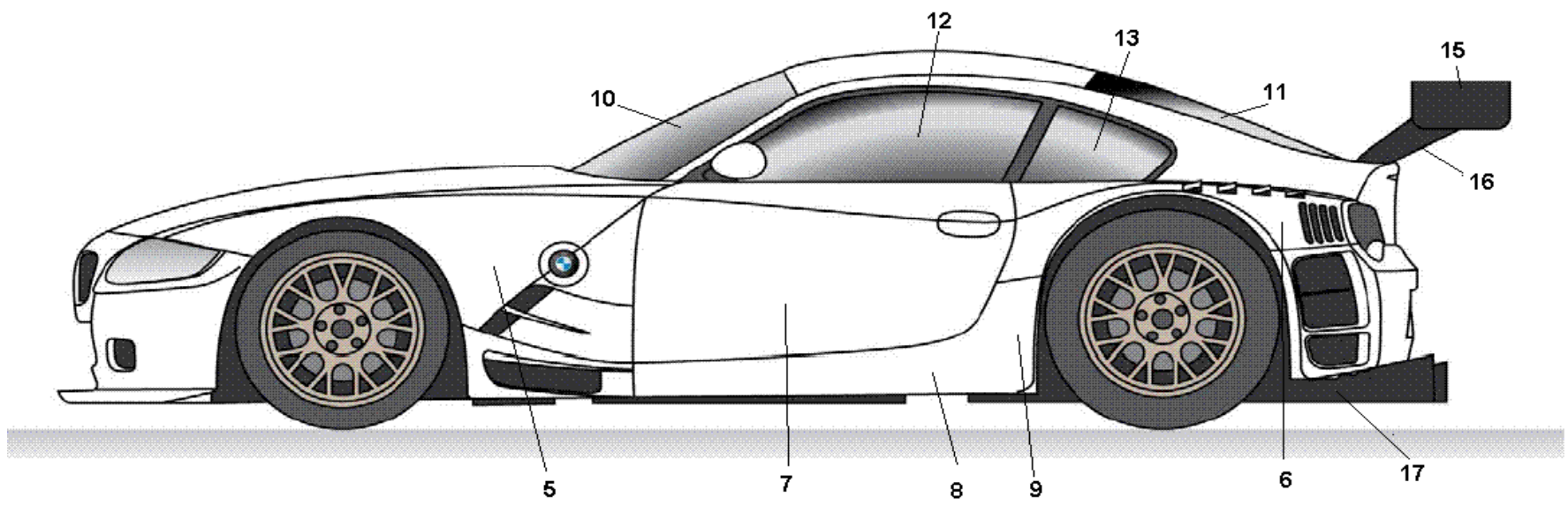
Anzugmomente und Prozedere



Karosserie und Anbauteile VLN und Belcar / bodyshell and body parts VLN and Belcar

Vers 05_2008

| Pos | HGUG | Part no. | * Teilenr. | Bezeichnung | Description | Info | Dispo | Menge |
|-----|------|----------|---------------|---------------------------------------|-----------------------------------|--------------|-------|-------|
| 1 | 4100 | 7768598 | | KAROSSERIE | Body | Z4 VLN | | 1 |
| | 4100 | 8304868 | | EINBAUSATZ | Tool | Z4 Dichtblec | | 1 |
| 2 | 4160 | 8305006 | | FRONTKLAPPE | hood | VLN 2007 | | 1 |
| 3 | 4162 | 7768697 | | HECKKLAPPE | Trunk lid | CFK | | 1 |
| 4 | 4100 | 8305098 | | DACH | ROOF | Carbon Z4 | | 1 |
| 5 | 5116 | 7768967 | | SPIEGEL LINKS | Mirror lh | | | 1 |
| 5 | 5116 | 7768968 | | SPIEGEL RECHTS | Mirror rh | | | 1 |
| | 3230 | 7750500 | | Befestigung Spiegel LINSENSCHRAUBE | Mounting of mirrors Lens screw | M6x20 | | 6 |



Karosserie und Anbauteile VLN und Belcar / bodyshell and body parts VLN and Belcar

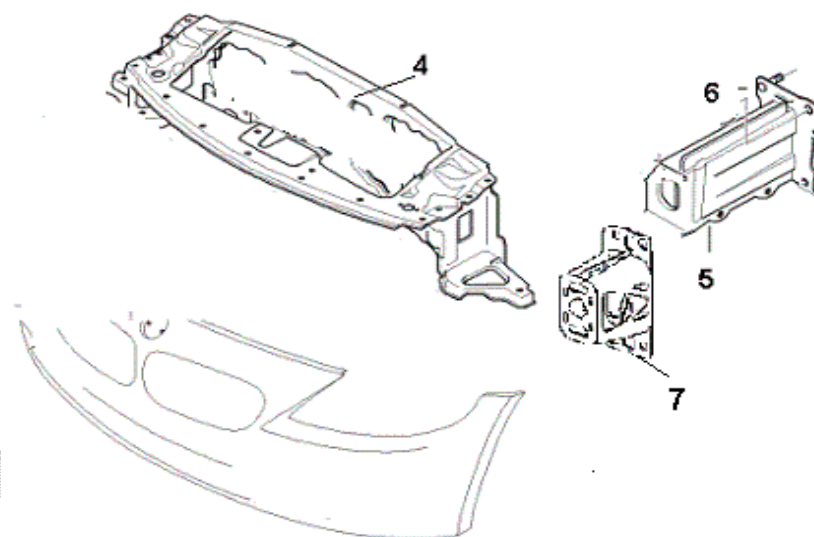
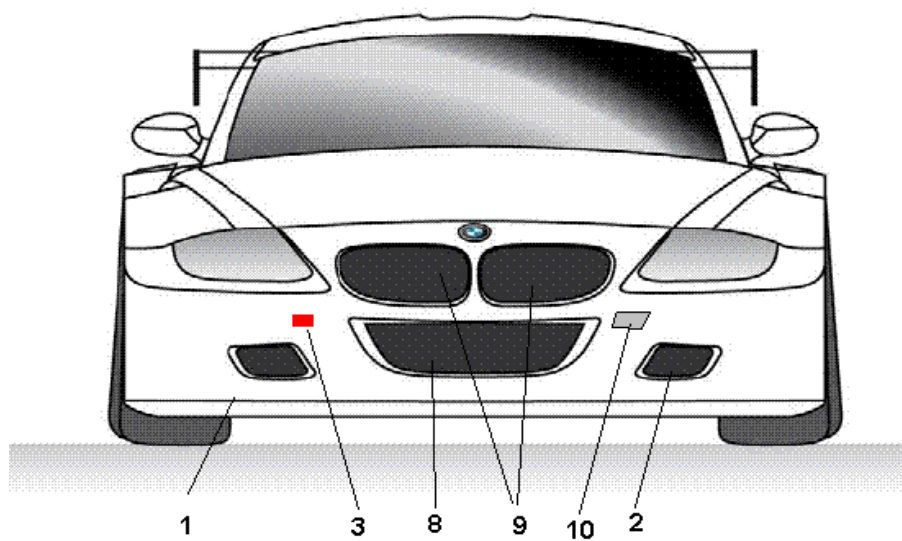
Vers 05_2008

| Pos | HGUG | Part no. | * Teilenr. | Bezeichnung | Description | Info | Dispo | Menge |
|-----|------|----------|---------------|-----------------------------------|---------------------------------|------------------|-------|-------|
| 5 | 4130 | 8304637 | | SEITENWAND VORNE LINKS | Side panel | Z4 VLN | | 1 |
| 5 | 4130 | 8304638 | | SEITENWAND VORNE RECHTS | Side panel | Z4 VLN | | 1 |
| | | 5171 | | RADHAUSVERKLEIDUNG | Wheel arch cover | vo li | | 1 |
| | | 5171 | | RADHAUSVERKLEIDUNG | Wheel arch cover | vo re | | 1 |
| 6 | 4130 | 8304639 | | SEITENWAND HINTEN LINKS | SIDE WALL | Z4 VLN | | 1 |
| 6 | 4130 | 8304640 | | SEITENWAND HINTEN RECHTS | SIDE WALL | Z4 VLN | | 1 |
| | | 5171 | | RADHAUSVERKLEIDUNG | Wheel arch cover | hi li | | 1 |
| | | 5171 | | RADHAUSVERKLEIDUNG | Wheel arch cover | hi re | | 1 |
| 7 | 4151 | 7768695 | | TÜR LINKS | Door | CFK | | 1 |
| 7 | 4151 | 7768696 | | TÜR RECHTS | Door | CFK | | 1 |
| 8 | 5177 | 7768553 | | SCHWELLER LINKS | Side skirt | | | 1 |
| 8 | 5177 | 7768554 | | SCHWELLER RECHTS | Side skirt | | | 1 |
| 9 | 5177 | 8304841 | | STEINSCHLAGSCHUTZ LINKS | Protection | li/lh | | 1 |
| 9 | 5177 | 8304842 | | STEINSCHLAGSCHUTZ RECHTS | Protection | re/rh | | 1 |
| 10 | 5131 | 7768730 | | FRONTSCHIEBE | Windscreen | Makrol. Infrared | | 1 |
| | 5131 | 2260477 | | SATZ SCHEIBENKLEBER | Set glue | | | 1 |
| 11 | 5131 | 7768735 | | HECKSCHEIBE | Rear window | 6mm Makrolon nB | | 1 |
| 11 | 5131 | 8304946 | | HECKSCHEIBE | Rear window | Makrolon 3mm | | 1 |
| | | 8319 | * | SATZ SCHEIBENKLEBER | Set glue | 310ml | | 1 |
| | | 1710 | | LINSENSCHRAUBE | Lens screw | M5x12 10.9 | | 25 |
| | | 1100 | | MUTTER MIT SCHEIBE | Nut | M5 Kay | | 25 |
| 12 | 5133 | 7768731 | | TÜRSCHIEBE LINKS | Door window | Makrolon | | 1 |
| 12 | 5133 | 7768732 | | TÜRSCHIEBE | Door window | Makrolon | | 1 |
| | | 5133 | | SCHIEBEFENSTER | Slide window | | | 2 |
| 13 | 5137 | 7768733 | | SEITENSCHIEBE LINKS | Side window | Makrolon | | 1 |
| | | | | für Betankung durch Seitenschiebe | for fueling through side window | | | |
| 13 | 1610 | 7768949 | | SEITENSCHIEBE RECHTS | Side window | | | 1 |
| | | | | bei Entfall Betankung rechts | without fueling rh side | | | |
| 13 | 5137 | 7768734 | | SEITENSCHIEBE RECHTS | Side window | Makrolon nB | | 1 |

Karosserie und Anbauteile VLN und Belcar / bodyshell and body parts VLN and Belcar

Vers 05_2008

| Pos | HGUG | Part no. | * Teilenr. | Bezeichnung | Description | Info | Dispo | Menge |
|-----|------|----------|---------------|----------------------------------|-----------------------------------|------------|----------|-------|
| | | | | Version VLN | Version VLN | | | |
| 14 | 5162 | 7768629 | | HECKFLÜGEL | Heckflügel | b=1489,2mm | | 1 |
| 15 | 5162 | 7768631 | | PLATTE LINKS | Spacer | Z4 VLN | nB | 1 |
| 15 | 5162 | 7768632 | | PLATTE RECHTS | Spacer | Z4 VLN | nB | 1 |
| 16 | 5162 | 8310690 | | HALTER | Bracket | Z4 VLN | | 2 |
| | | | | Version Belcar | Version Belcar | | | |
| 14 | 5162 | 7768965 | | HECKFLÜGEL | Heckflügel | b=1599mm | | 1 |
| 15 | 5162 | 7768963 | | PLATTE LINKS | Spacer | Z4 Belcar | | 1 |
| 15 | 5162 | 7768964 | | PLATTE RECHTS | Spacer | Z4 Belcar | | 1 |
| 16 | 5162 | 8304684 | | HALTER | Bracket | Z4 Belcar | | 2 |
| | | | | AWT Guerney | CT guerney | | | |
| | 5162 | 7768655 | | LEISTE | Strip | 5mm | nB | 1 |
| | 5162 | 7768656 | | LEISTE | Strip | 15mm | standard | 1 |
| | 5162 | 7768657 | | LEISTE | Strip | 25mm | nB | 1 |
| | | | | Befestigung Halter an Heckklappe | Mounting of brackets to rear boot | | | |
| | 5100 | 8304800 | | PASSSCHRAUBE | Bolt | M6x42 12.9 | | 4 |
| | 0711 | 9903529 | * | SECHSKANTSCHRAUBE M. SCHEIBE | Screw | M6x50 | | 2 |
| | | | | Befestigung Heckflügel an Halter | Mounting of rear wing to brackets | | | |
| | 3121 | 7766391 | | ZYLINDERSCHRAUBE | Fillister | M6x16 12.9 | | 4 |
| | 1100 | 2190417 | | SECHSKANTMUTTER MIT SCHEIBE | Nut | M6 | | 4 |
| 17 | 5162 | 8304985 | | DIFFUSOR | Diffusor | Z4 VLN | | 1 |
| 17 | 5162 | 7768959 | | DIFFUSOR | Diffusor | Z4 Belcar | | 1 |
| | 5162 | 7768635 | | FINNE | Fin | li / lh | | 2 |
| | 5162 | 7768636 | | FINNE | Fin | re /rh | | 2 |
| | 5434 | 1394318 | * | LINSENSCHRAUBE | Lens screw | M6x16 | | 20 |



Frontverkleidung und Montageteile / front bumper and assy parts

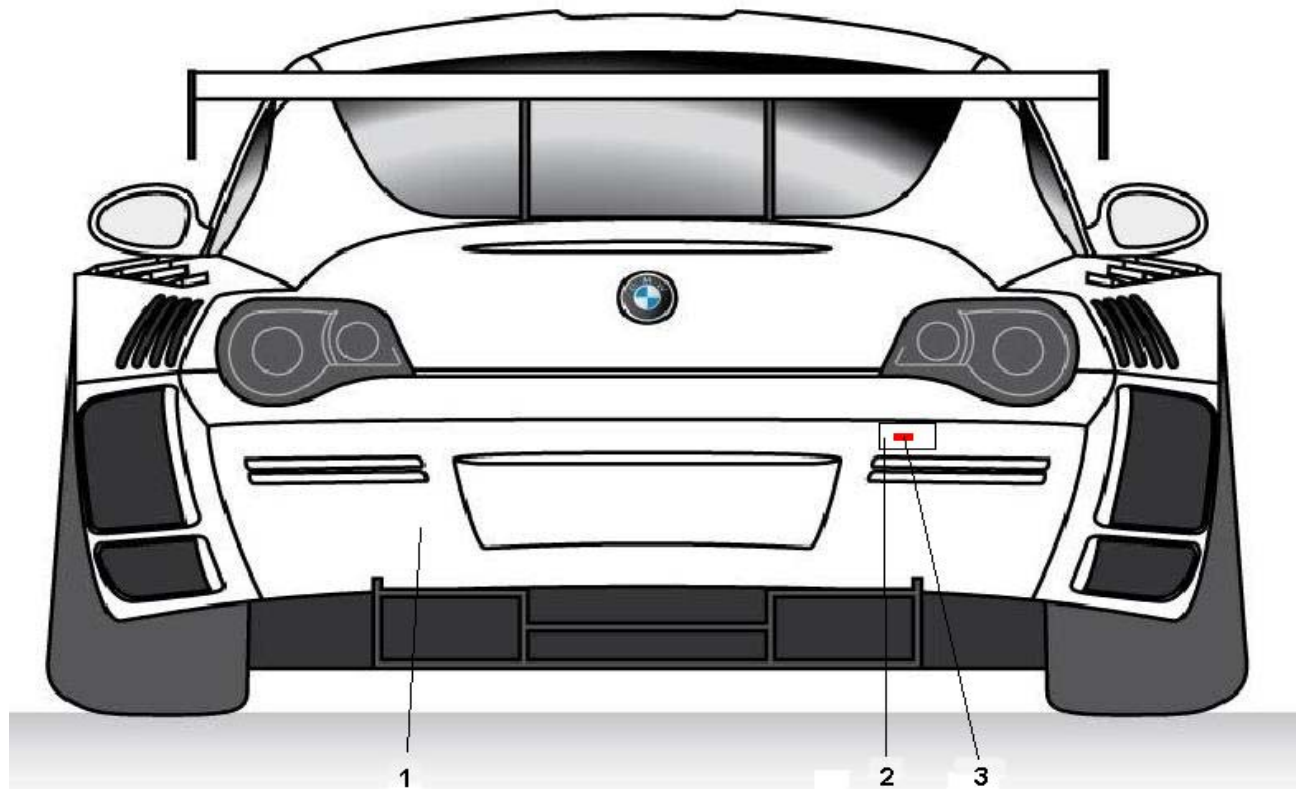
Vers 10_2008

| Pos | HGUG | Teilenr. Part no. | * | Bezeichnung | Description | Info | Dispo | Menge |
|-----|------|----------------------|---|-------------------------------|-----------------------|--------------|-------|-------|
| 1 | 5111 | 8304861 | | FRONTVERKLEIDUNG | Front panel | VLN | ww | 1 |
| 1 | 5111 | 7768548 | | FRONTVERKLEIDUNG | Front panel | VLN light | ww | 1 |
| 10 | 5111 | 8310699 | | DECKEL LINKS | Cover left | | nB | 1 |
| 10 | 5111 | 8310700 | | DECKEL RECHTS | Cover right | | nB | 1 |
| | | 5171 | | STANGE | Rod | | nB | 2 |
| | | 0711 | * | SCHEIBE | Washer | 5,3-ST | nB | 2 |
| | | 1100 | | SECHSKANTMUTTER SELBSTSICHERI | Nut | M5 Kay | nB | 2 |
| | | | | Variante Belcar | Variant Belcar | | | |
| 1 | 5111 | 8304862 | | FRONTVERKLEIDUNG | Front panel | Belcar | nB | |
| 1 | 5111 | 7768958 | | FRONTVERKLEIDUNG | Front panel | Belcar light | nB | |
| 2 | 5111 | 7768549 | | LUFTFÜHRUNG LINKS | Air duct | | | 1 |
| 2 | 5111 | 7768550 | | LUFTFÜHRUNG RECHTS | Air duct | | | 1 |
| | 5111 | 7768717 | | FINNE | Fin | li innen | | 1 |
| | 5111 | 7768718 | | FINNE | Fin | re innen | | 1 |
| | 5111 | 7768719 | | FINNE | Fin | li aussen | | 1 |
| | 5111 | 7768720 | | FINNE | Fin | re aussen | | 1 |
| | 5111 | 7768703 | | RUTSCHPLATTE | Skid plate | li aussen | | 1 |
| | 5111 | 7768704 | | RUTSCHPLATTE | Skid plate | re aussen | | 1 |
| | 5111 | 7767879 | | RUTSCHPLATTE | Skid plate | mitte | | 2 |
| | 5100 | 7747669 | | BEFESTIGUNGSELEMENT | Fastening | f. skid | | 4 |
| 3 | 7215 | 8281621 | | ABSCHLEPPSEIL | TOW ROPE | vorne | | 1 |
| | 5100 | 2487125 | | ZYLINDERSCHRAUBE | Fillister | M10x35 10.9 | | 1 |

Frontverkleidung und Montageteile / front bumper and assy parts

Vers 10_2008

| | | | Montage Fr.verkleidung an Karosse | Mounting bumper to body | | | |
|---|------|---------|--|---|------------|-----|----|
| 4 | 5111 | 7768884 | VORDERWAND | Front panel | Z4 VLN | | 1 |
| 5 | 5111 | 8304615 | HALTER LINKS | Support | | | 1 |
| 5 | 5111 | 8304616 | HALTER RECHTS | Support | | | 1 |
| 6 | 5111 | 1835625 | * SECHSKANTMUTTER M. SCHEIBE | Nut | | | 6 |
| 7 | 5171 | 8281557 | DISTANZHALTER LINKS | Spacer | M8 | | |
| 7 | 5171 | 8281558 | DISTANZHALTER RECHTS | Spacer | | | |
| | | | Befestigung Distanzhalter/Halter | Mount spacer/support | | | |
| | 0711 | 9913647 | * SECHSKANTSCHRAUBE | Screw | M8x25 10.9 | | 8 |
| | 0711 | 9936441 | * BEILAGSCHEIBE | Washer | | 8.4 | 16 |
| | 5111 | 1835625 | * SECHSKANTMUTTER M. SCHEIBE | Nut | | | 8 |
| | | | Schutzgitter Kühler und Radhaus | Protective grids for radiator and wheel arches | | | |
| 8 | 5111 | 8281599 | Gitter | Grid | | nB | 5 |
| | | | Luftführungen in BMW Niere | Air guides in BMW kidney | | | |
| 9 | 1161 | 8305023 | Einsatz links | Insert left | | | 1 |
| 9 | 1161 | 8305024 | Einsatz rechts | Insert right | | | 1 |



Heckverkleidung und Montageteile / rear bumper and assy parts

Vers 7_2007

| Pos | HGUG | Part no. | * Teilenr. | Bezeichnung | Description | Info | Dispo | Menge |
|-----|------|----------|---------------|------------------------------|-----------------------|-------------|-------|-------|
| 1 | 5112 | 7768551 | | HECKVERKLEIDUNG | Panel | Z4 VLN | | 1 |
| 2 | 5112 | 8310626 | | DECKEL RECHTS | Cover | | nB | |
| | 5112 | 7768621 | | HALTER LINKS | Support | | | 1 |
| | 5112 | 7768622 | | HALTER RECHTS | Support | | | 1 |
| | 5112 | 7767092 | | ZENTRIERZAPFEN | Tool | | | 2 |
| | 1100 | 1313172 | | SECHSKANTMUTTER SELBSTSICHER | Nut | M8 Kay | | 2 |
| | | | | Nacharbeit durch Team | Rework by Team | | | |
| | 5112 | 7158875 | * | AUFNAHME HECKVERKLEIDUNG | Support rear bumper | | | 1 |
| | 5112 | 7768803 | | PRALLDÄMPFER LINKS | Absorber | | | 1 |
| | 5112 | 7768804 | | PRALLDÄMPFER RECHTS | Absorber | | | 1 |
| 3 | 7215 | 8281621 | | ABSCHLEPPSEIL | TOW ROPE | vorne | | 1 |
| | 5100 | 2487125 | | ZYLINDERSCHRAUBE | Fillister | M10x35 10.9 | | 1 |

Verglasung >> Tankumfänge

Heckflügel / Diffusor / Unterboden

Heckflügel

wie ETK

auch Folien Startnummern beleuchtet

Werkzeuge

Betriebsmittel

Formulare

Motorlaufzeit

Xtrac

HAG